

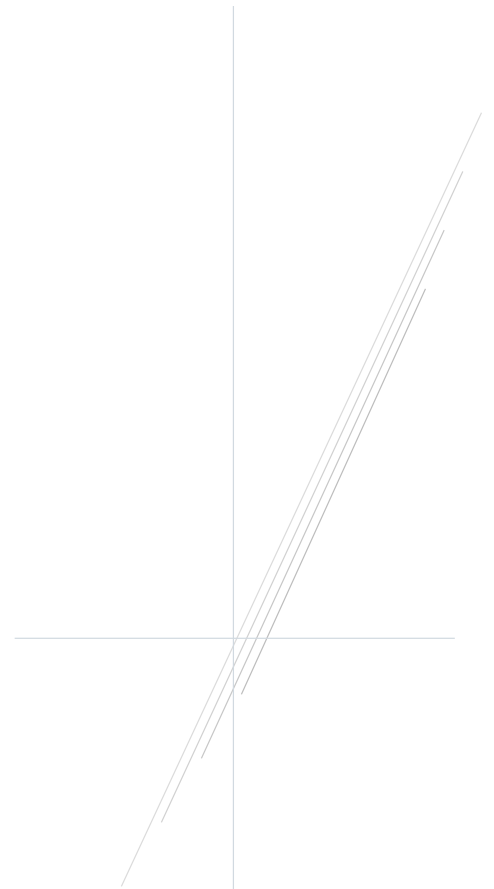
101S-1,2 Series

101S-1,2 Series Hydraulic Steering Control Units

Integrated hydraulic steering units for mobile machinery
and industrial hydraulic systems.

Category: Hydraulic Steering Units

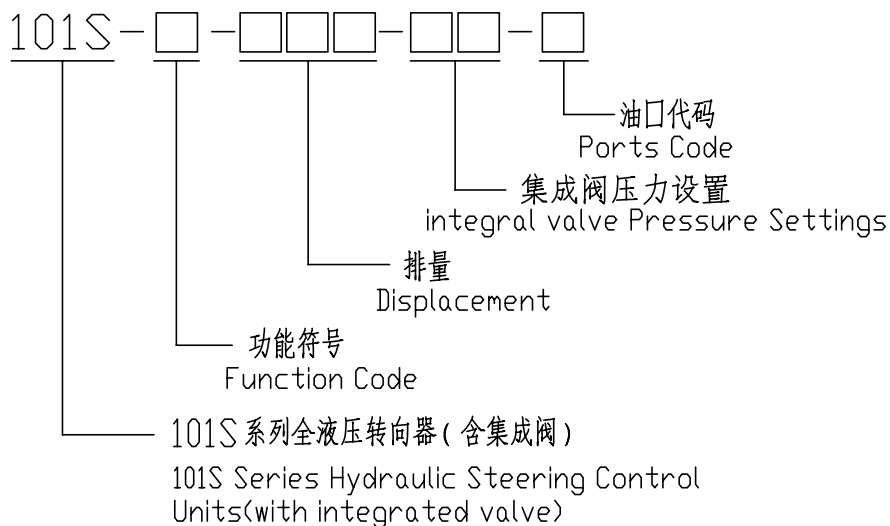
Application: Agricultural Machinery / Construction Equipment / Mobile Hydraulic Systems



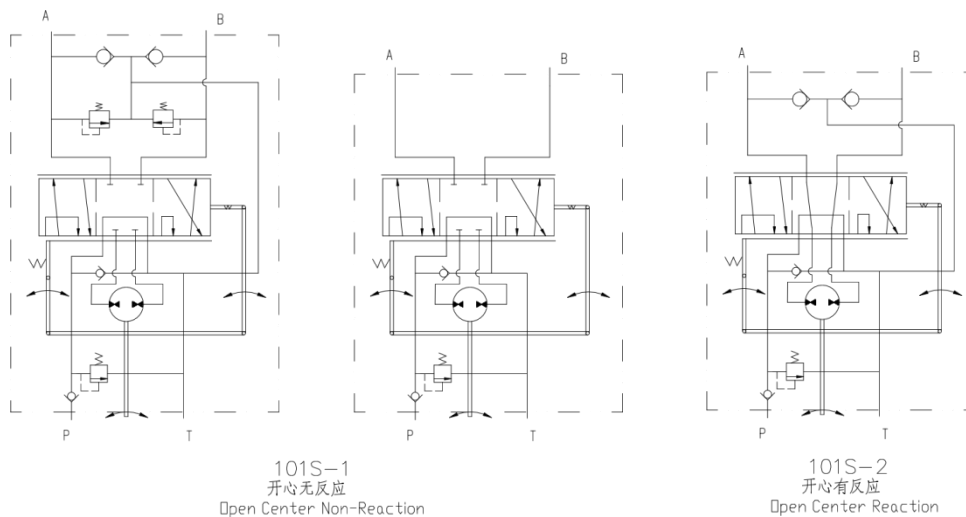
101S-1,2 Series Hydraulic Steering Control Units (SCU)

The SCU 101S-1,2 series inherits the steering function of the 101 series both in structure and principle. The 101S series features incorporate relief valves, shock valves, suction valves, and check valves inside the housing according to different requirements, resulting in a more compact and convenient structure.

Order Code



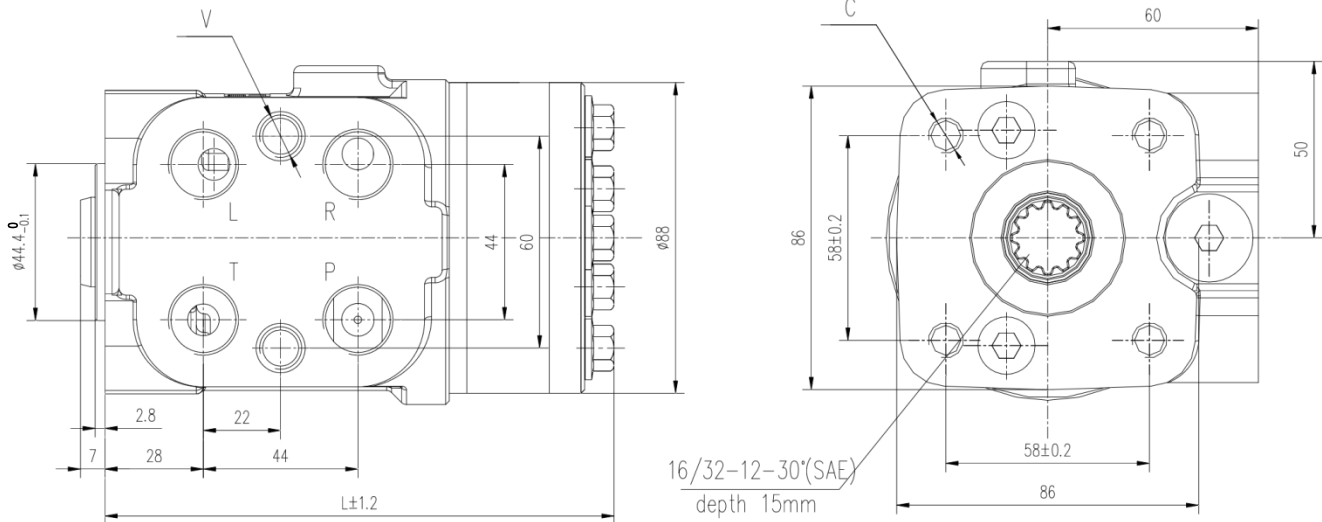
Function Code



101S-1,2 Series Hydraulic Steering Control Units (SCU) Main Specification

Parameters	Type 101S-*.***-*																
Function Code	1, 2								1								
Displacement(mL/r)	50	63	80	100	125	160	200	250	280	315	370	400	500	630	740	800	1000
Rated flow (L/min)	5	6	8	10	12.5	16	20	25	28	31.5	37	40	50	50	56	60	75
Max. input pressure (MPa)	17.5																
Relief Valve Pressure Settings (MPa)	06 ,07 ,08 ,10 ,12 ,14 ,15 ,16 ,17.5																
Shock Valves Pressure Settings (MPa)	12 ,13 ,14 ,16 ,18 ,20 ,21 ,22 ,23.5																
Max. cont. back pressure (MPa)	2.5																
Dimension L (mm)	130	131	133.5	136	139	144	149	155	160	165	172	175	187	212	226	232	256

Mounting Data



Ports Threads

Code	P, T, L, R oil port	Flange connection threads	Oil port connection thread
A	M20X1.5	M10	M12
B	M20X1.5 'O'-ring(Φ21.8)		
B2	M20X1.5 'O'-ring(Φ22.5)		
C	M18X1.5		
D	M18X1.5 'O'-ring		
E	G1/2		
U	G1/2 'O'-ring		
G	M22X1.5		
Q	M22X1.5 'O'-ring		
M	3/4-16UNF 'O'-ring		
F		M10X1	
F2		M10	
I		M10	
N		M10X1.25	M10
K	M20X1.5	M10	M10X1
J	9/16-18UNF 'O'-ring	3/8-16UNC	3/8-24UNF

Note 1: Ports P, T, L, R Depth : 15 mm; Column Mounting C & V Depth: 16 mm .
 2: The code of other ports dimensions will be listed in an agreement.



101S-1,2 Series Hydraulic Steering Control Units (SCU)

101S-1、2 Order Code

	Pos.1	Pos.2	Pos.3	Pos.4
101S	-	*	**	*

Pos.1 - Function Code

其中: 1:Open Center Non-Reaction
2:Open Center Reaction

Pos.2 - Displacement mL/r

50、63、80、100、125、160、200、250、280、315、370、400、500、630、740、800、1000

Pos.3 - Integrated Valve Parameter

Relief valve pressure settings (MPa):06、07、08、10、12、14、15、16、17.5

Shock valves pressure settings is 6 MPa higher than relief valve

Pos.4 - Ports Code

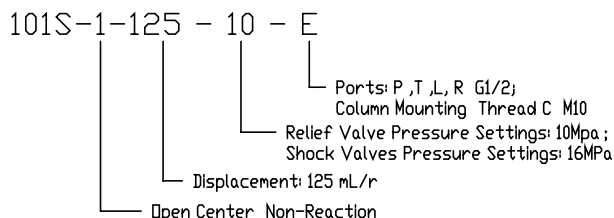
A、B、B2、C、D、E、U、G、Q、M、F、F2、I、N、K、J

Application Example:

101S Series Steering Gear: Open-center, non-reactive; displacement 125 mL/rev; inlet check valve; safety valve pressure 10 MPa; buffer valve pressure 16 MPa; four oil ports with G1/2 threads; flat seal; steering column flange connection with M10 threads.

Steering gear order number: 101S-1-125-10-E

For example:
Order code



CONTACT YUNLINK HYDRAULICS

For product selection, quotation and OEM/ODM inquiries, please contact us.

COMPANY

Hebei Yunlink Industrial Co., Ltd.

Email: sales@yunlinkhydraulic.com

WhatsApp: +86 155 3213 6555

Website: www.yunlinkhydraulic.com

LinkedIn: [linkedin.com/in/peterbai-hydraulics](https://www.linkedin.com/in/peterbai-hydraulics)

Location:

No. 5 Yucai Street, North Industrial Zone

Ningjin County, Xingtai City

Hebei Province, China

WHEN SENDING AN INQUIRY, PLEASE INCLUDE:

1. Product model
2. Thread size / connection type
3. Required pressure and flow rate
4. Quantity
5. Application or equipment model