

## High Pressure Ball Valve

### KHB / KHM / VH Series High Pressure Ball Valve

Professional hydraulic components for mobile machinery and industrial systems.

Category: High Pressure Ball Valves

Application:

Hydraulic Systems / Mobile Machinery / Industrial Equipment



# MODEL CODE

KHB(BKH)	G1/2	L	1	1	2	04	*
①	②	③	④	⑤	⑥	⑦	⑧

① Product Code

KHB - Valve block ball valve, DN06-50

② Thread size or pipe diameter and connection type

③ Valve and joint material

- 1-Carbon steel
- 4-Stainless steel

④ Ball and spindle material

- 1-Carbon steel
- 4-Stainless steel

⑤ Seal material

- 1-POM
- 4-PTFE
- 5-PEEK

⑥ Joint seal and control spindle seal

- 2-NBR
- 4-FPM
- 6-EPDM

⑦ Handle Type

- 01-Aluminum alloy crank
- 02-Aluminum alloy straight handle
- 03-Zinc alloy crank
- 04-Zinc alloy straight handle
- 05-Steel crank
- 06-Steel straight handle

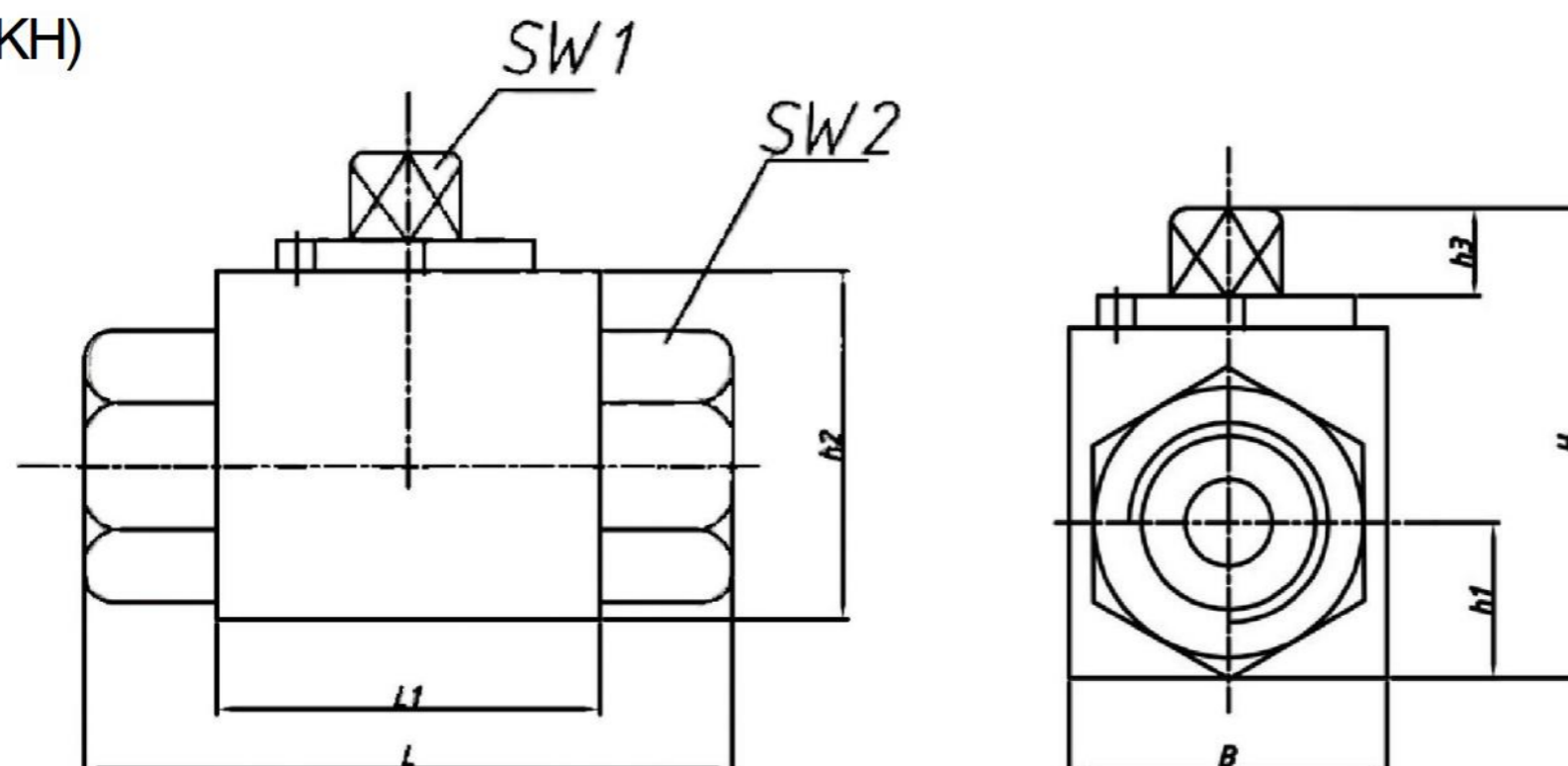
⑧ Surface Treatment

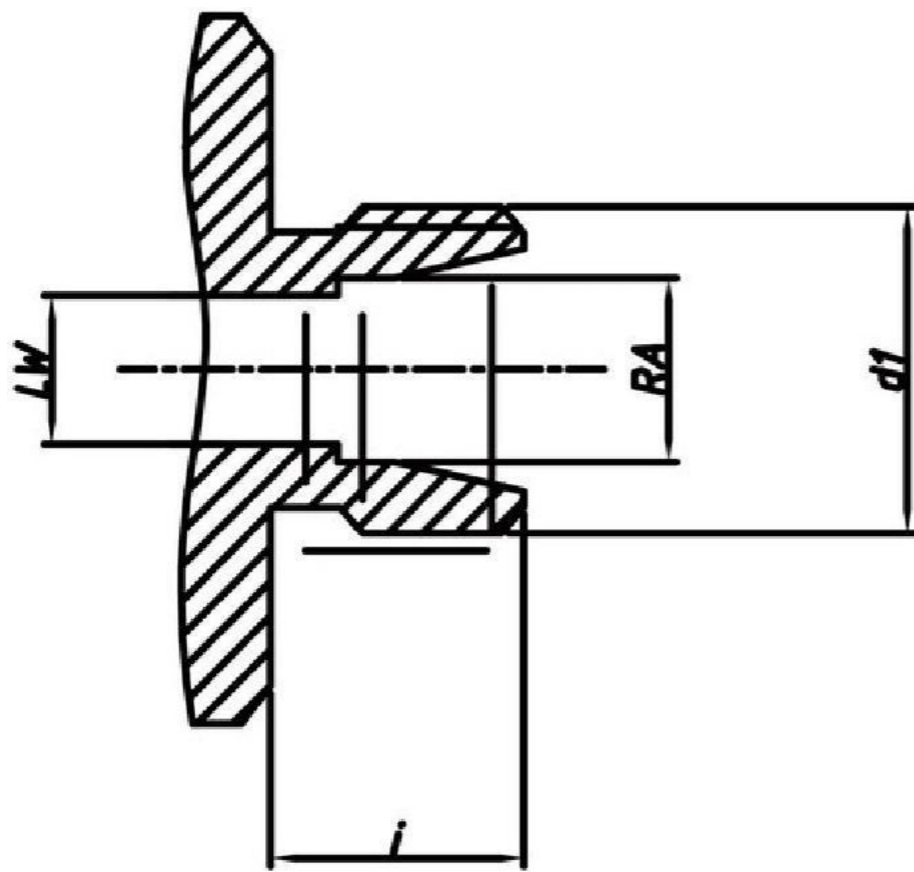
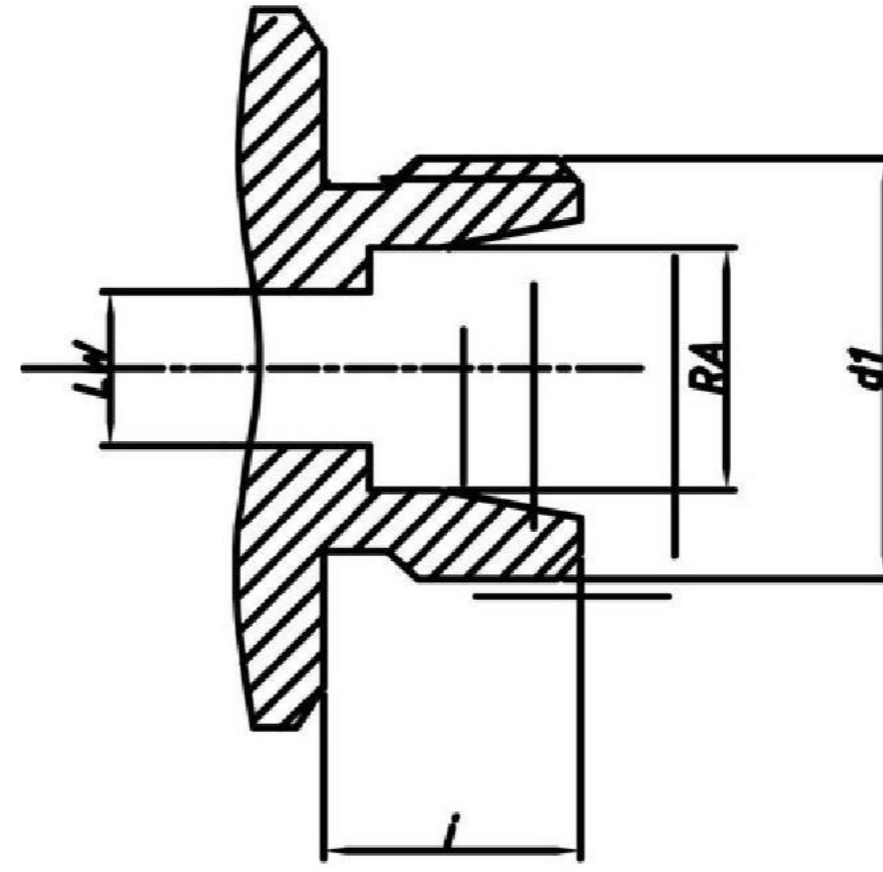
- Default blue-white zinc plating
- Please specify other requirements
- Operating Temperature: -30° C to +80° C



## DIMENSIONS

● KHB(BKH)



*DIN 2353 LR**DIN 2353 SR*

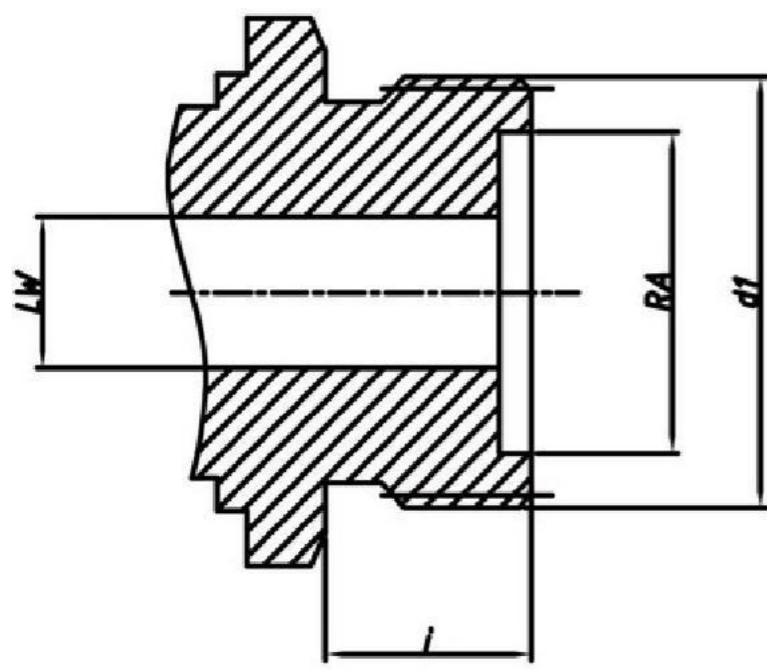
DIN 2353 Light Series - Please note the pressure rating of pipe connections

MODEL	DN	PN	LW	RA	d1	I	L	L1	B	H	h1	h2	h3	SW1	SW2
KHB-06LR	4	500	4	6	M12x1.5	10	72	40	25	44.5	13	32	8	9	24
KHB-08LR	6	500	6	8	M14x1.5	10	72	40	25	44.5	13	32	8	9	24
KHB-10LR	8	500	8	10	M16x1.5	11	84	42	33	52.5	17	40	8	9	27
KHB-12LR	10	500	10	12	M18x1.5	11	84	42	33	52.5	17	40	8	9	27
KHB-15LR	13	500	13	15	M22x1.5	12	90	48	35	52.5	17	40	8	9	32
KHB-18LR	13	500	13	18	M26x1.5	12	90	48	35	52.5	17	40	8	9	32
KHB-22LR	20	315	19	22	M30x2	14	101	60	50	75	24	57	12	12	41
KHB-28LR	25	315	25	28	M36x2	14	108	65	55	82	28.5	64	12	12	46
KHB-35LR	25/32	315	25	35	M45x2	16	112	70	65	82	28.5	64	12	14	46
KHM-35LR	32	315	30	35	M45x2	16	141	70	65	108	41	87.5	14	14	60
KHM-42LR	40	315	38	42	M52x2	16	162	75	70	119.5	46.5	99	14	17	70

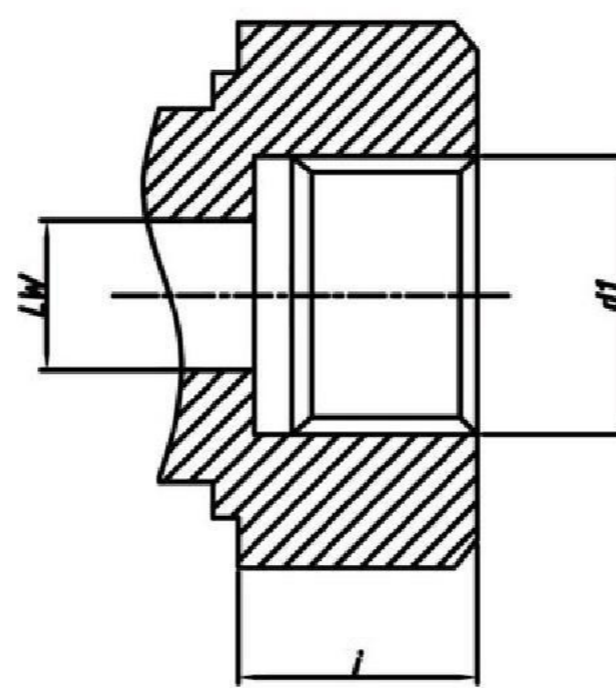
DIN 2353 SR Series - Please note the pressure rating of pipe connections

MODEL	DN	PN	LW	RA	d1	I	L	L1	B	H	h1	h2	h3	SW1	SW2
KHB-08SR	4	500	4	8	M16x1.5	12	73	40	25	44.5	13	32	8	9	24
KHB-10SR	6	500	6	10	M18x1.5	12	73	40	25	44.5	13	32	8	9	24
KHB-12SR	8	500	8	12	M20x1.5	12	76	42	33	52.5	17	40	8	9	27
KHB-14SR	10	500	10	14	M22x1.5	14	80	42	33	52.5	17	40	8	9	27
KHB-16SR	13	500	13	16	M24x1.5	14	86	48	35	52.5	17	40	8	9	32
KHB-20SR	13	500	13	20	M30x2	16	90	48	35	52.5	17	40	8	9	32
KHB-25SR	20	315	19	25	M36x2	18	109	60	50	75	24	57	12	12	41
KHB-30SR	25	315	25	30	M42x2	20	120	65	55	82	28.5	64	12	12	46
KHB-38SR	25/32	315	25	38	M52x2	22	124	70	65	82	28.5	64	12	14	46
KHM-38SR	32	315	30	38	M52x2	22	153	70	65	108	41	87.5	14	14	60

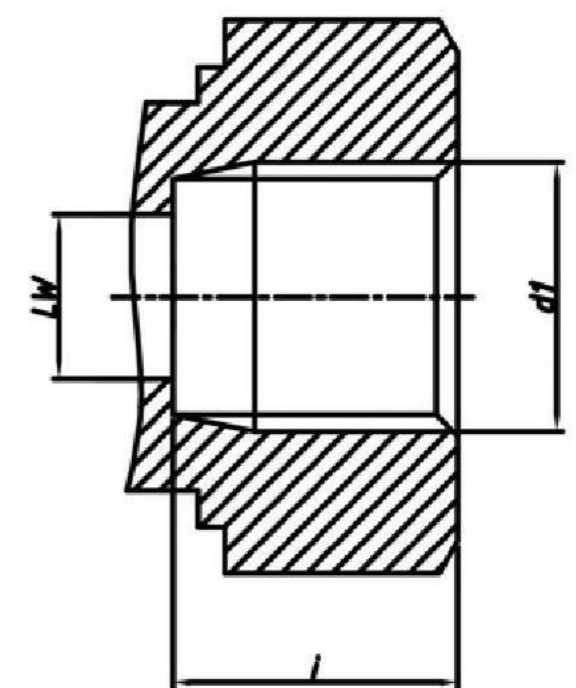
KHB / KHM Series High Pressure Ball Valve



JB987-77



ISO 228



ANSI B1.20.1

JB987-77 External Thread Seal

MODEL	DN	PN	LW	RA	d1	l	L	L1	B	H	h1	h2	h3	SW1	SW2
KHB-M12x1.25	4	500	4	8	M12x1.5	9	72	40	25	44.5	13	34	8	9	24
KHB-M16x1.5	6	500	6	11	M16x1.5	11	72	40	25	44.5	13	34	8	9	24
KHB-M22x1.5	8	500	8	16	M22x1.5	12	84	42	33	52.5	17	40	8	9	27
KHB-M27x1.5	10	500	10	20	M27x1.5	12	84	42	33	52.5	17	40	8	9	32
KHB-M30x1.5	13	400	15	24	M30x1.5	13	84	48	35	63.5	19	46	11	9	32
KHB-M36x2	20	315	20	30	M36x2	15	103	60	50	75	24	57	12	12	41
KHB-M42x2	25	315	25	35	M42x2	18	116	65	55	82	28.5	64	12	12	46
KHB-M52x2	32	315	30	40	M52x2	20	149	84	82	108	41	87.5	14	14	55
KHB-M60x2	40	315	38	50	M60x2	22	174	92	93	119.5	46.5	99	14	17	70
KHB-M72x2	50	315	48	60	M72x2	24	178	100	110	135.5	55	115	14	17	80

ISO 228 Internal Thread

MODEL	DN	PN	LW	d1	l	L	L1	B	H	h1	h2	h3	SW1	SW2
KHB-G1/8	4	500	4	G1/8	10	72	40	25	44.5	13	32	8	9	24
KHB-G1/4	6	500	6	G1/4	14	72	40	25	44.5	13	32	8	9	24
KHB-G3/8	10	500	10	G3/8	14	75	42	33	52.5	17	40	8	9	27
KHB-G1/2	13	500	13	G1/2	16	90	48	35	52.5	17	40	8	9	32
KHB-G3/4	20	315	20	G3/4	18	102	60	50	75	24	57	12	12	41
KHB-G1	25	315	25	G1	20.5	117	65	55	82	28.5	64	12	12	46
KHB-G1 1/4	32	315	32	G1 1/4	22	120	70	65	82	28.5	64	12	14	55
KHB-G1 1/2	40	315	40	G1 1/2	24	120	75	70	82	28.5	64	14	14	70

ANSI B1.20.1 NPT Female

MODEL	DN	PN	LW	d1	l	L	L1	B	H	h1	h2	h3	SW1	SW2
KHB-1/8NPT	4	500	6	1/8NPT	10.5	72	40	25	44.5	13	32	8	9	24
KHB-1/4NPT	6	500	6	1/4NPT	14	72	40	25	44.5	13	32	8	9	24
KHB-3/8NPT	10	500	10	3/8NPT	14	75	42	33	52.5	17	40	8	9	27
KHB-1/2NPT	13	500	13	1/2NPT	17	90	48	35	52.5	17	40	8	9	32
KHB-3/4NPT	20	315	20	3/4NPT	19	95	60	50	75	24	57	12	12	41
KHB-1NPT	25	315	25	1NPT	22.5	113	65	55	82	28.5	64	12	12	50
KHB-1 1/4NPT	25/32	315	25	1 1/4NPT	22.5	120	70	65	82	28.5	64	12	14	55
KHB-1 1/2NPT	25/40	315	25	1 1/2NPT	25	130	75	70	82	28.5	64	14	14	70



## MODEL CODE



① Series Code

KHB3K - Valve block ball valve DN04-50

② Thread Size or Pipe Diameter and Connection Type

Thread size or pipe diameter and connection type

③ Valve Function Symbol

See the function symbols below

④ Valve and Fittings Material

1 - Carbon steel 4 - Stainless steel

⑤ Ball and Spindle Material

1 - Carbon steel 4 - Stainless steel

⑥ Seal Material

1 - POM 4 - PTFE 5 - PEEK

⑦ Joint Seal and Control Spindle Seal

2 - NBR 4 - FPM 6 - EPDM

⑧ Handle Type

01 - Aluminum alloy crank handle  
02 - Aluminum alloy straight handle  
03 - Zinc alloy crank handle  
04 - Zinc alloy straight handle  
05 - Steel crank handle  
06 - Steel straight handle

⑨ Surface Treatment

Standard blue-white zinc plating  
Please specify any other surface treatment requirements

Note: Operating Temperature  
-30°C to +80°C

## Valve Function

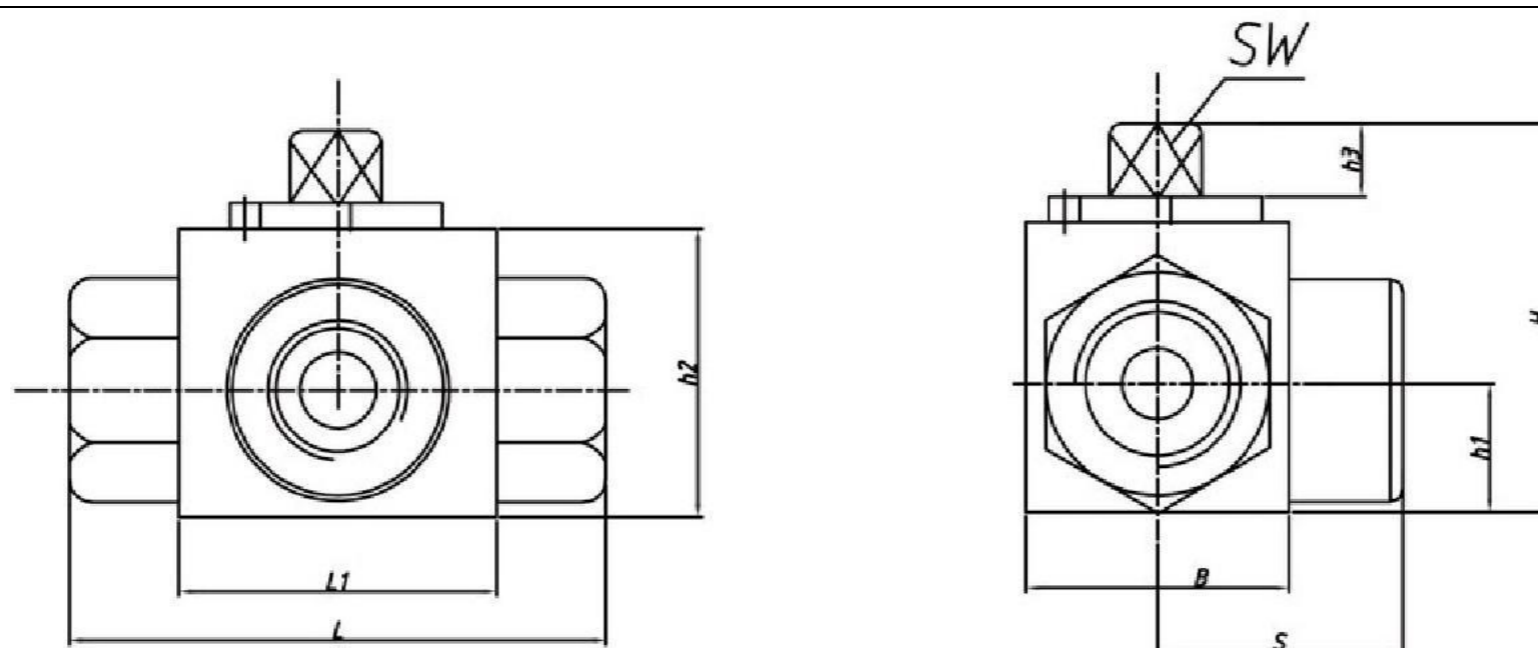
KHB3K: Hydraulic oil can flow into the valve only through port "1", and the valve can seal only under two conditions:

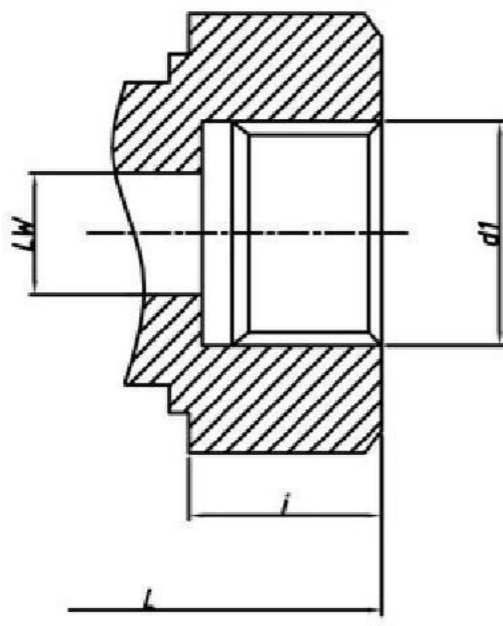
1. Pressure at the closed port is zero;
2. Pressure at the closed port is lower than at the two open ports. KHB3K-S: All ports can be used as pressure inlets. The valve can be operated only at  $\Delta P = 0$  bar.

● Valve Function Symbol

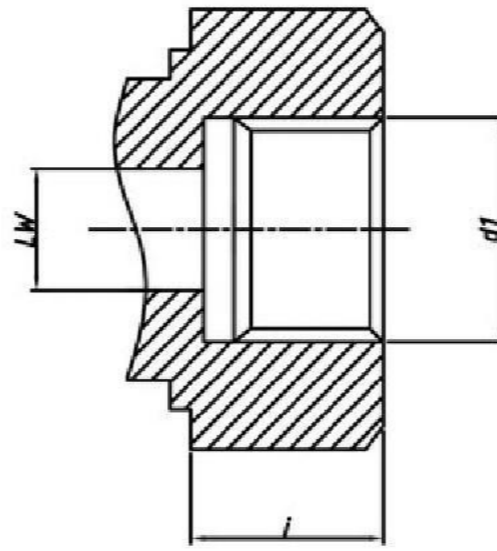
LShape	90° Commutation	TShape	90° Commutation

## DIMENSIONS

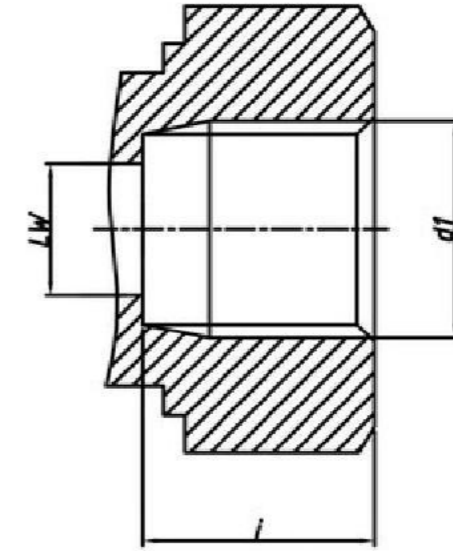




Metric Internal Thread



ISO 228



ANSI B1.20.1

## Metric Internal Thread

MODEL	DN	PN	LW	d1	l	L	L1	B	H	h1	h2	h3	SW1	S
KHB3K-N-M14x1.5	6	315	6	M14x1.5	14	72	40	25	44.5	13	35	8	9	35
KHB3K-N-M18x1.5	10	315	10	M18x1.5	13	72	42	33	52.5	17	40	8	9	36
KHB3K-N-M22x1.5-SW9	13	315	13	M22x1.5	15	90	48	35	52.5	17	45	8	9	40
KHB3K-N-M27x2	20	315	20	M27x2	18	102	60	50	75	24	60	12	14	49
KHB3K-N-M33x2	25	315	25	M33x2	20	116	65	55	82	28.5	65	12	14	56.5
KHB3K-N-M42x2	32	315	30	M42x2	22	116	74	65	104.5	37.5	70	14	17	55
KHB3K-N-M48x2	40	315	38	M48x2	24	130	90	80	115.5	42.5	90	14	17	65
KHB3K-N-M60x2	50	315	48	M60x2	26	140	100	105	133	52.5	105	14	17	75

## ISO 228 Female

MODEL	DN	PN	LW	d1	l	L	L1	B	H	h1	h2	h3	SW1	S
KHB-G1/8	4	315	6	G1/8	10	72	40	25	44.5	13	35	8	9	35
KHB-G1/4	6	315	6	G1/4	14	72	40	25	44.5	13	35	8	9	35
KHB-G3/8	10	315	10	G3/8	14	75	42	33	52.5	17	40	8	9	36
KHB-G1/2	13	315	13	G1/2	16	90	48	35	52.5	17	45	8	9	40
KHB-G3/4	20	315	20	G3/4	18	102	60	50	75	24	60	12	12	49
KHB-G1	25	315	25	G1	20.5	117	65	55	82	28.5	65	12	12	56.5
KHB-G1/4	25/32	315	25	G1/4	22	116	75	65	82	28.5	70	12	14	60
KHB-G14	32	315	30	G1/4	22	116	75	65	104.5	37.5	70	14	17	55
KHB-G1/2	40	315	38	G1/2	24	130	90	80	115.5	42.5	90	14	17	65
KHB-G2	50	315	48	G2	26	140	100	105	133	52.5	105	14	17	70

## ANSI B1.20.1 NPT Female

MODEL	DN	PN	LW	d1	l	L	L1	B	H	h1	h2	h3	SW1	SW2
KHB-1/8NPT	4	315	6	1/8NPT	10.5	72	40	25	44.5	13	35	8	9	35
KHB-1/4NPT	6	315	6	1/4NPT	14	72	40	25	44.5	13	35	8	9	35
KHB-3/8NPT	10	315	10	3/8NPT	14	75	42	33	52.5	17	40	8	9	36
KHB-1/2NPT	13	315	13	1/2NPT	17	90	48	35	52.5	17	45	8	9	40
KHB-3/4NPT	20	315	20	3/4NPT	19	102	60	50	75	24	60	12	12	49
KHB-1NPT	25	315	25	1NPT	22.5	117	65	55	82	28.5	65	12	12	56.5
KHB-1 1/4NPT	25/32	315	25	1 1/4NPT	22.5	120	79	65	82	28.5	70	12	14	60
KHB-1 1/4NPT	32	315	30	1 1/4NPT	25	120	79	65	104.5	37.5	70	14	17	60
KHB-1 1/2NPT	40	315	38	1 1/2NPT	25	130	90	80	115.5	42.5	90	14	17	70
KHB-2NPT	50	315	48	2NPT	30	140	100	105	133	52.5	105	14	17	75

**MODEL CODE**



### MODEL CODE



#### ① Series Code

VH2V Series

#### ② Joint Code

Thread size or the pipe diameter and connection type  
M\*\*, G\*\*, LR, SR, PT, NPT

#### ③ Valve Material

1 - Steel    2 - Brass    3 - Stainless Steel

#### ④ Ball Material

1 - Steel    2 - Brass    3 - Stainless Steel

#### ⑤ Operating Temperature

1 - -25°C ~ +100°C    2 - -30°C ~ +170°C

#### ⑥ Other Airproof

2 - NBR    4 - FPM

#### ⑦ Handle Type

- 01 - Aluminum alloy crank handle
- 02 - Aluminum alloy straight handle
- 03 - Zinc alloy crank handle
- 04 - Zinc alloy straight shank
- 05 - Steel crank handle
- 06 - Steel straight handle

#### ⑧ Design Number

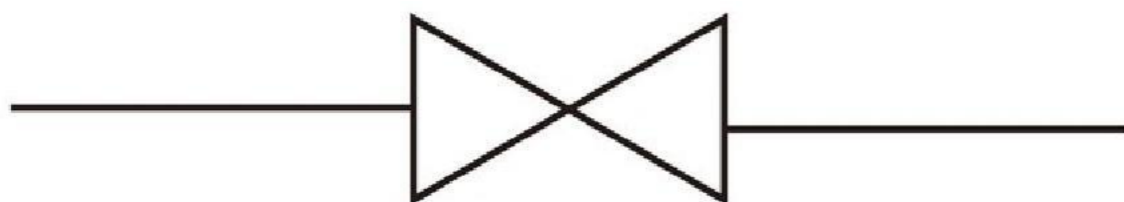
To be decided by the manufacturer

#### ⑨ Surface Treatment

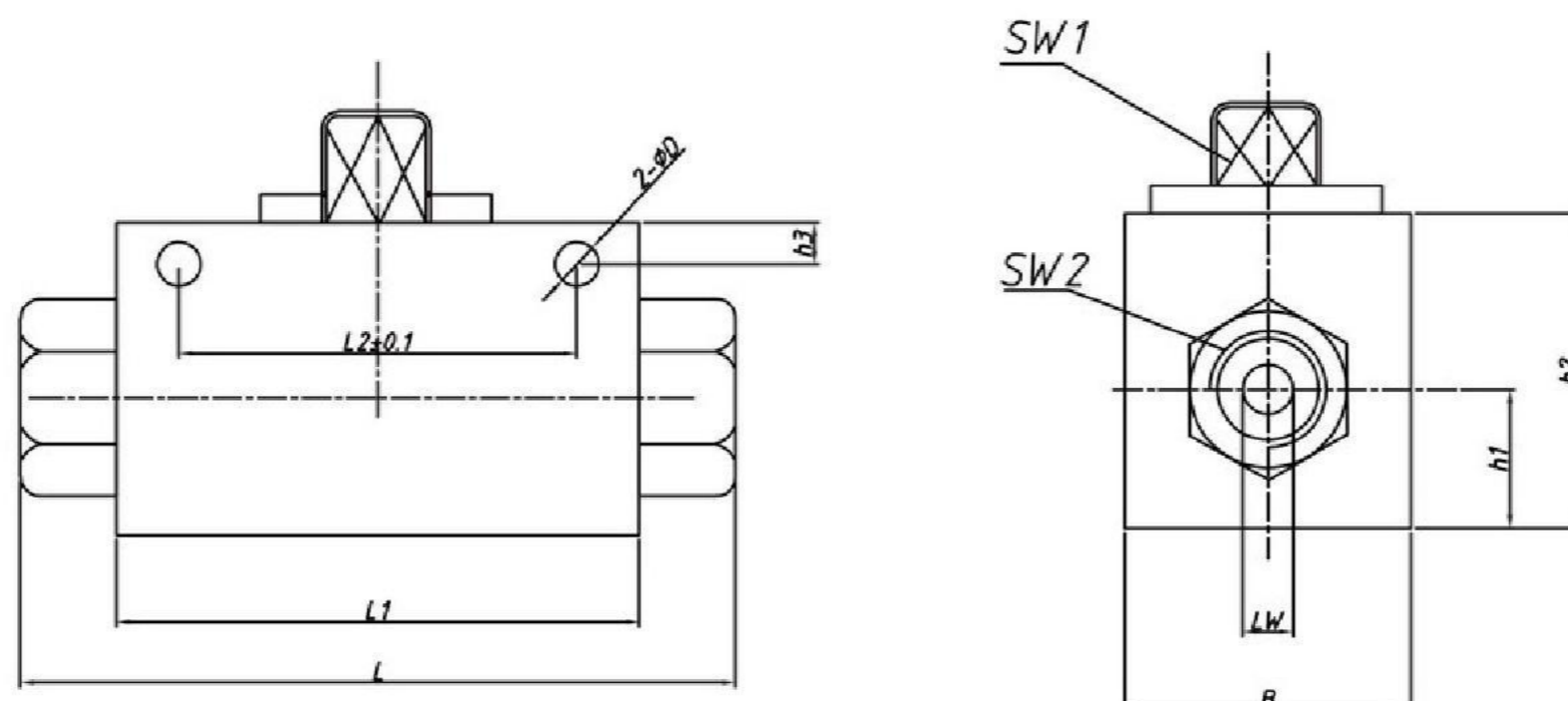
Default plating blue-white zinc  
Please specify any other requirements

**Note:** Operating Temperature  
-30°C to +80°C

### Hydraulic Schematic Symbol

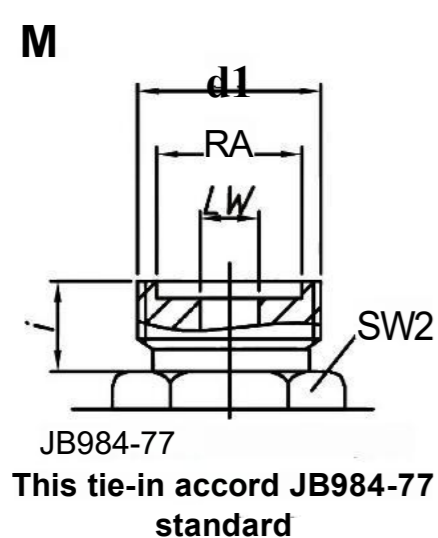


### DIMENSIONS

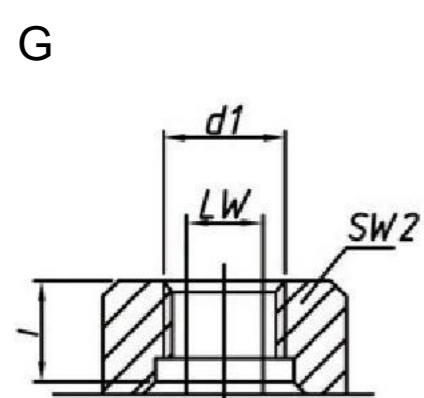


Port

Chart

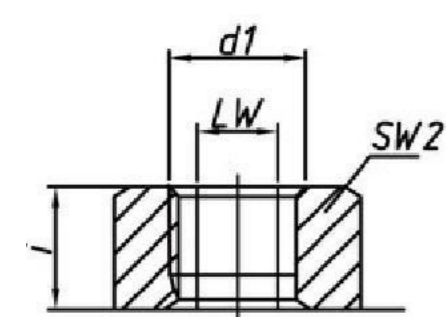


Model	PN (bar)	DN	LW	RA	d1	I	L	L1	B	L2	h1	h2	Sw1	Sw2	D	h3
VH2V-M16x1.5	500	06	06	11	M16x1.5	11	72	40	25	30	14	35	09	24	5	4.8
VH2V-M27x1.5	500	10	10	20	M27x1.5	12	76	42	33	32	17	40	09	27	6.5	5
VH2V-M30x1.5	400	13	13	24	M30x1.5	14	90	48	35	37.5	18.5	43	09	32	6.5	4.8
VH2V-M36x2	315	20	20	30	M36x2	15	113	60	50	48.5	25	58	12	41	6.5	6
VH2V-M42x2	315	25	23	35	M42x2	18	126	65	55	50.5	28.5	65	12	46	6.5	6



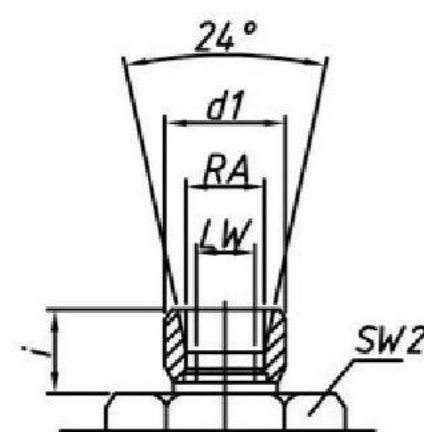
model model	PN (bar)	DN	LW	RA	d1	I	L	L1	B	L2	h1	h2	Sw1	Sw2	D	h3
VH2V-G1/4	500	06	06		G1/4	14	72	40	25	30	14	35	09	24	5	4.8
VH2V-G3/8	500	10	10		G3/8	14	75	42	33	32	17	40	09	27	6.5	5
VH2V-G1/2	500	13	13		G1/2	16	90	48	35	37.5	18	45	09	32	6.5	4.8
VH2V-G3/4	315	20	20		G3/4	18	102	60	50	48.5	25	58	12	41	6.5	6
VH2V-G1	315	25	25		G1	21	117	65	55	50.5	27.5	65	12	46	6.5	6

NPT(PT)



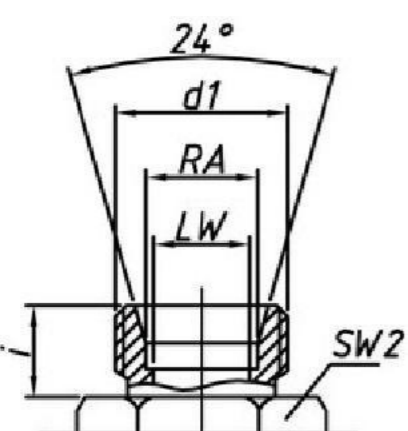
Model	PN (bar)	DN	LW	RA	d1	I	L	L1	B	L2	h1	h2	Sw1	Sw2	D	h3
VH2V-NPT1/4	500	06	06		NPT1/4	14	72	40	25	30	14	35	09	24	5	4.8
VH2V-NPT3/8	500	10	10		NPT3/8	14	75	42	33	32	17	40	09	27	6.5	5
VH2V-NPT1/2	500	13	13		NPT1/2	16	90	48	35	37.5	18	45	09	32	6.5	4.8
VH2V-NPT3/4	315	20	20		NPT3/4	18	102	60	50	48.5	23	58	12	41	6.5	6
VH2V-NPT1	315	25	25		NPT1	21	117	65	55	50.5	27.5	65	12	46	6.5	6

LR



Model	PN (bar)	DN	LW	RA	d1	I	L	L1	B	L2	h1	h2	Sw1	Sw2	D	h3
VH2V-08LR	500	06	06	08	M14x1.5	10	72	40	25	30	14	35	09	24	5	4.8
VH2V-12LR	500	10	10	12	M18x1.5	11	75	42	33	32	17	40	09	27	6.5	5
VH2V-15LR	500	13	12	15	M22x1.5	12	90	48	35	37.5	18	45	09	30	6.5	4.8
VH2V-18LR	500	13	12	18	M26x1.5	12	90	48	35	37.5	18	45	09	30	6.5	6
VH2V-22LR	315	20	19	22	M30x2	14	101	60	50	48.5	23	58	12	41	6.5	6
VH2V-28LR	315	25	24	28	M36x2	14	108	65	55	50.5	27.5	65	12	46	6.5	6

SR



Model	PN (bar)	DN	LW	RA	d1	I	L	L1	B	L2	h1	h2	Sw1	Sw2	D	h3
VH2V-10SR	500	06	06	10	M18x1.5	12	73	40	25	30	14	35	09	24	5	4.8
VH2V-14SR	500	10	10	14	M22x1.5	14	80	42	33	32	17	40	09	27	6.5	5
VH2V-16SR	500	13	12	14	M24x1.5	14	90	48	35	37.5	18	45	09	32	6.5	4.8
VH2V-20SR	500	13	12	16	M30x2	16	90	48	35	37.5	18	45	09	32	6.5	6
VH2V-25SR	315	20	20	18	M36x2	18	109	60	50	48.5	23	58	12	41	6.5	6
VH2V-30SR	315	25	25	20	M42x2	20	120	65	55	50.5	27.5	65	12	46	6.5	6



- VH3V
- M27x1.5
- 1
- 1
- 1
- 2
- 01
- X
- \*

① Series Code  
VH3V Series

② Joint Code  
M\*\*, G\*\*, LR, SR, PT, NPT

③ Valve Material  
1 - Steel 2 - Brass 3 - Stainless Steel

④ Ball Material  
1 - Steel 2 - Brass 3 - Stainless Steel

⑤ Operating Temperature  
1 - -25°C to +100°C 2 - -30°C to +170°C

⑥ Other Seal Material  
2 - NBR 4 - FPM

⑦ Handle Type  
01 - Aluminum alloy crank handle  
02 - Aluminum alloy straight handle  
03 - Zinc alloy crank handle  
04 - Zinc alloy straight handle  
05 - Steel crank handle  
06 - Steel straight handle

⑧ Design Number  
To be decided by the manufacturer

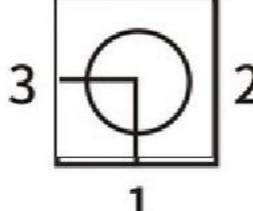

⑨ Surface Treatment  
Default blue-white zinc plating  
Please specify any other surface treatment requirements

## Valve Function

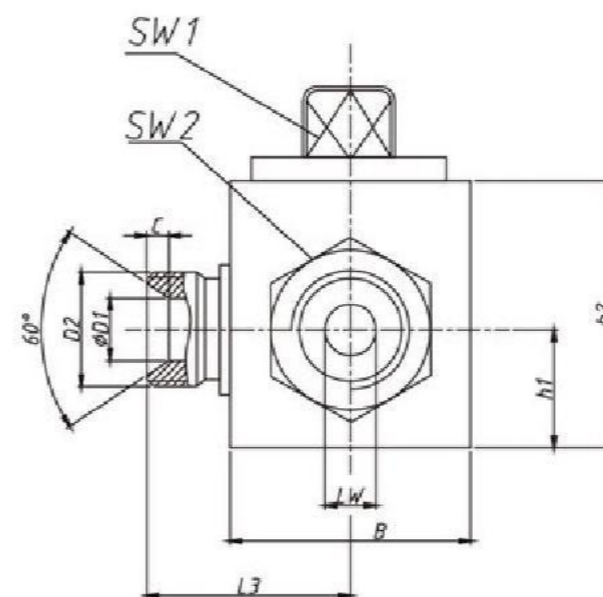
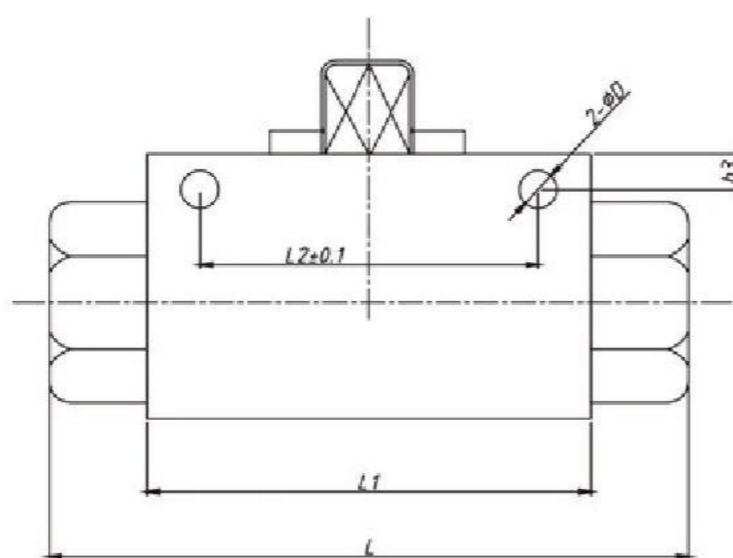
Hydraulic oil can flow into the valve only through port "1", and the valve can seal only under two conditions:

1. Pressure at the closed port is zero;
2. Pressure at the closed port is lower than at the two open ports.

### ● Valve Function Symbol

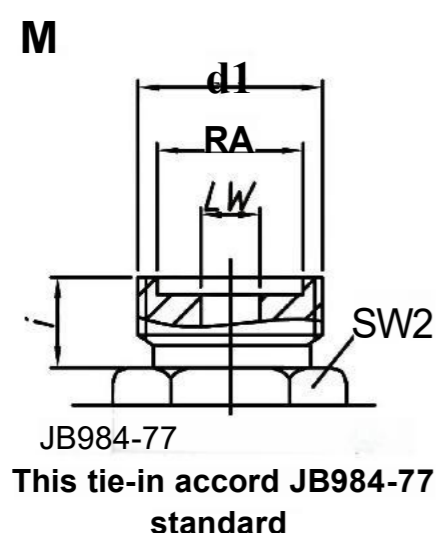
LShape	90° Commutation	TShape	90° Commutation
			

## DIMENSIONS

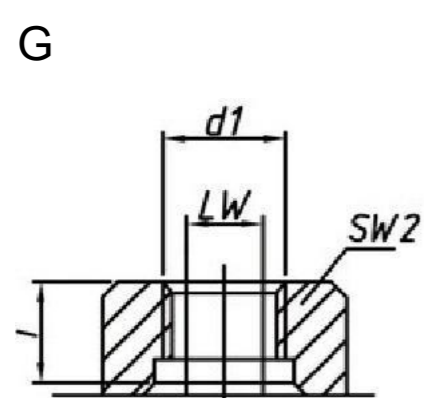


Port

Chart

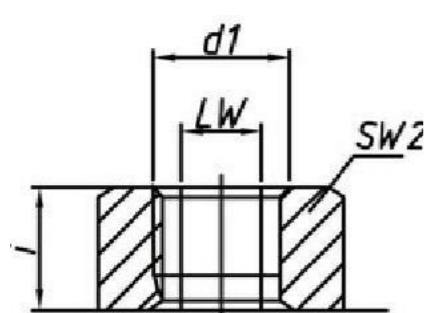


Model	PN (bar)	DN	LW	RA	d1	I	L	L1	B	L2	h1	h2	Sw1	Sw2	D	h3	L3	D1	C
VH3V-M16x1.5	500	06	06	11	M16x1.5	11	72	40	25	30	14	35	09	24	5	4.8	35	6	4
VH3V-M27x1.5	500	10	10	20	M27x1.5	12	76	42	33	32	17	40	09	27	6.5	5	36.5	8	4
VH3V-M30x1.5	400	13	13	24	M30x1.5	14	90	48	35	37.5	18.5	43	09	32	6.5	4.8	37	12	3
VH3V-M36x2	315	20	20	30	M36x2	15	113	60	50	48.5	25	58	12	41	6.5	6	49	15	5.5
VH3V-M42x2	315	25	23	35	M42x2	18	126	65	55	50.5	28.5	65	12	46	6.5	6	52	22	5



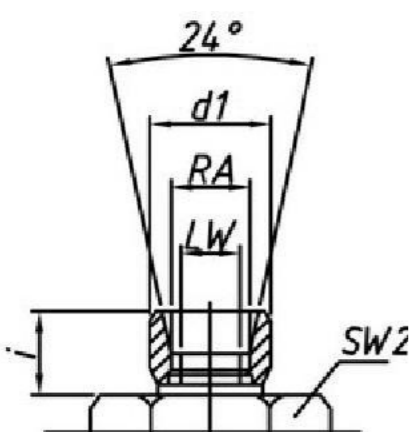
Model	PN (bar)	DN	LW	RA	d1	I	L	L1	B	L2	h1	h2	Sw1	Sw2	D	h3	L3	D1	C
VH3V-G1/4	500	06	06		G1/4	14	72	40	25	30	13.5	35	09	24	5	4.8	35	6	4
VH3V-G3/8	500	10	10		G3/8	14	75	42	33	32	16	40	09	27	6.5	5	36.5	8	4
VH3V-G1/2	400	13	12		G1/2	16	90	48	35	37.5	18	45	09	32	6.5	4.8	37	12	3
VH3V-G3/4	315	20	20		G3/4	18	102	60	50	48.5	23	58	12	41	6.5	6	49	15	5.5
VH3V-G1	315	25	23		G1	21	117	65	55	50.5	27.5	65	12	46	6.5	6	52	22	5

NPT(PT)



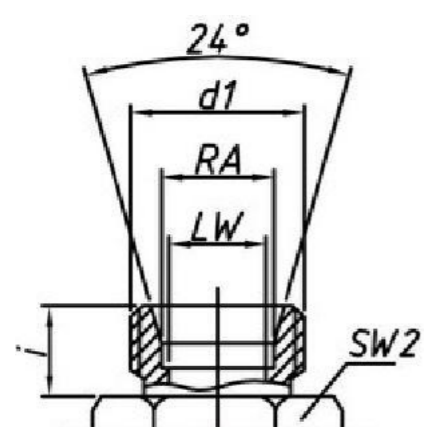
Model	PN (bar)	DN	LW	RA	d1	I	L	L1	B	L2	h1	h2	Sw1	Sw2	D	h3	L3	D1	C
VH3V-NPT1/4	500	06	06		NPT1/4	14	72	40	25	30	13.5	35	09	24	5	4.8	35	6	4
VH3V-NPT3/8	500	10	10		NPT3/8	14	75	42	33	32	16	40	09	27	6.5	5	36.5	8	4
VH3V-NPT1/2	400	13	12		NPT1/2	16	90	48	35	37.5	18	45	09	32	6.5	4.8	37	12	3
VH3V-NPT3/4	315	20	20		NPT3/4	18	102	60	50	48.5	23	58	12	41	6.5	6	49	15	5.5
VH3V-NPT1	315	25	23		NPT1	21	117	65	55	50.5	27.5	65	12	46	6.5	6	52	22	5

LR



Model	PN (bar)	DN	LW	RA	d1	I	L	L1	B	L2	h1	h2	Sw1	Sw2	D	h3	L3	D1	C
VH3V-08LR	500	06	06	08	M14x1.5	10	72	40	25	30	13.5	35	09	24	5	4.8	35	6	4
VH3V-12LR	500	10	10	12	M18x1.5	11	75	42	33	32	16	40	09	27	6.5	5	36.5	8	4
VH3V-15LR	500	13	12	15	M22x1.5	12	90	48	35	37.5	18	45	09	32	6.5	4.8	37	12	3
VH3V-18LR	500	13	12	18	M26x1.5	12	90	48	35	37.5	18	45	09	32	6.5	4.8	37	12	3
VH3V-22LR	315	20	19	22	M30x2	14	101	60	50	48.5	23	58	12	41	6.5	6	49	15	5.5
VH3V-28LR	315	25	24	28	M36x2	14	108	65	55	50.5	27.5	65	12	46	6.5	6	52	22	5

SR



Model	PN (bar)	DN	LW	RA	d1	I	L	L1	B	L2	h1	h2	Sw1	Sw2	D	h3	L3	D1	C
VH3V-10SR	500	06	06	10	M18x1.5	12	73	40	25	30	13.5	35	09	24	5	4.8	35	6	4
VH3V-14SR	500	10	10	14	M22x1.5	14	80	42	33	32	16	40	09	27	6.5	5	36.5	8	4
VH3V-16SR	500	13	12	16	M24x1.5	14	90	48	35	37.5	18	45	09	32	6.5	4.8	37	12	3
VH3V-20SR	500	13	12	20	M30x1.5	16	90	48	35	37.5	18	45	09	32	6.5	4.8	37	12	3
VH3V-25SR	315	20	20	25	M36x2	18	109	60	50	48.5	23	58	12	41	6.5	6	49	15	5.5
VH3V-30SR	315	25	25	30	M42x2	20	120	65	55	50.5	27.5	65	12	46	6.5	6	52	22	5

# CONTACT

## YUNLINK HYDRAULICS

---

For product selection, quotation and OEM/ODM inquiries, please contact us.

### COMPANY

---

**Hebei Yunlink Industrial Co., Ltd.**

**Email:** [sales@yunlinkhydraulic.com](mailto:sales@yunlinkhydraulic.com)

**WhatsApp:** +86 155 3213 6555

**Website:** [www.yunlinkhydraulic.com](http://www.yunlinkhydraulic.com)

**LinkedIn:** [linkedin.com/in/peterbai-hydraulics](https://www.linkedin.com/in/peterbai-hydraulics)

**Location:**

No. 5 Yucai Street, North Industrial Zone  
Ningjin County, Xingtai City  
Hebei Province, China

### WHEN SENDING AN INQUIRY, PLEASE INCLUDE:

---

1. Product model
2. Thread size / connection type
3. Required pressure and flow rate
4. Quantity
5. Application or equipment model