

Flow Divider/Combiner Valve

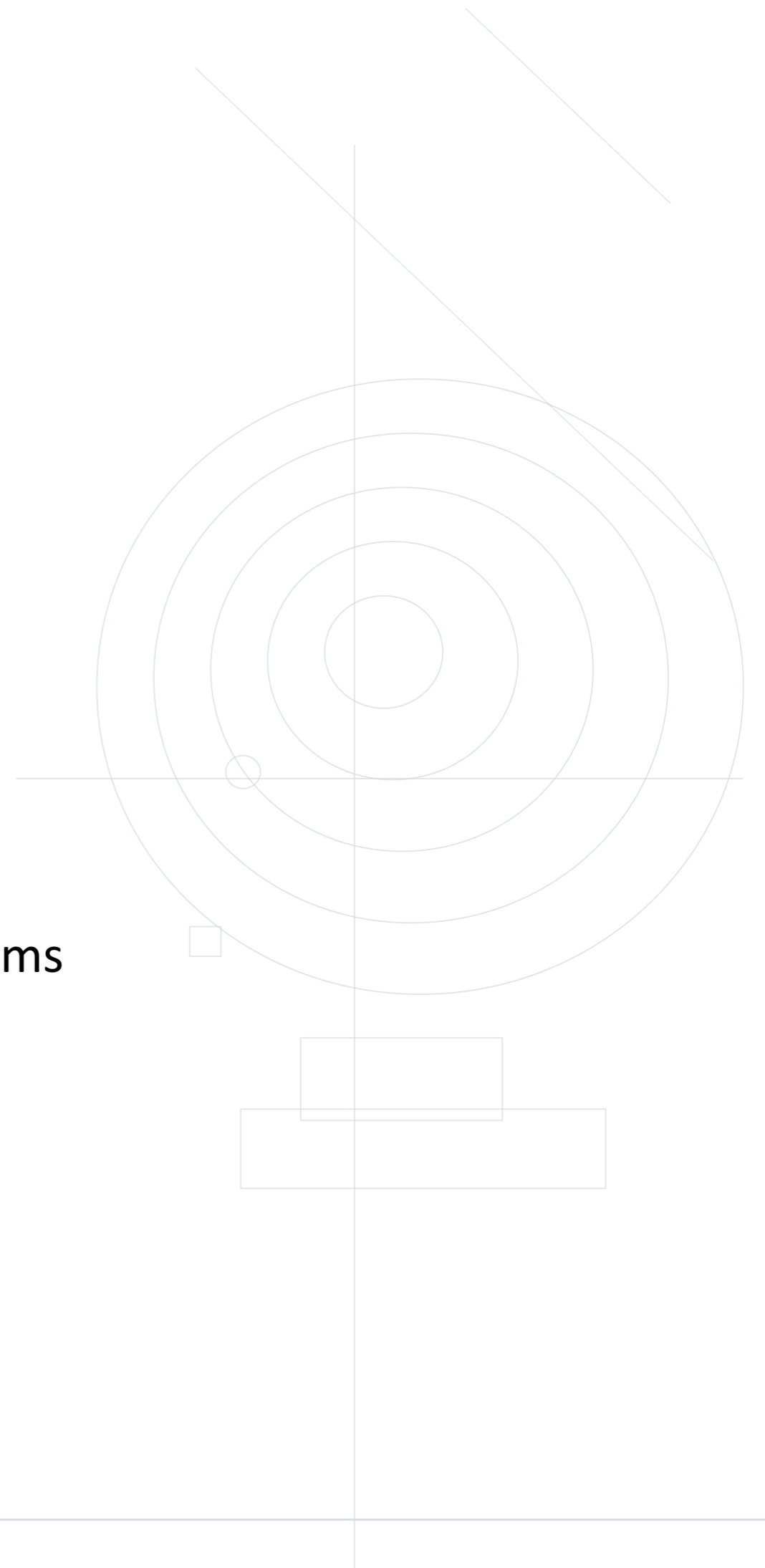
FJF06-01 Flow Divider/Combiner Valve

Professional hydraulic components for mobile machinery and industrial systems.

Category: Flow Divider / Combiner Valves

Application:

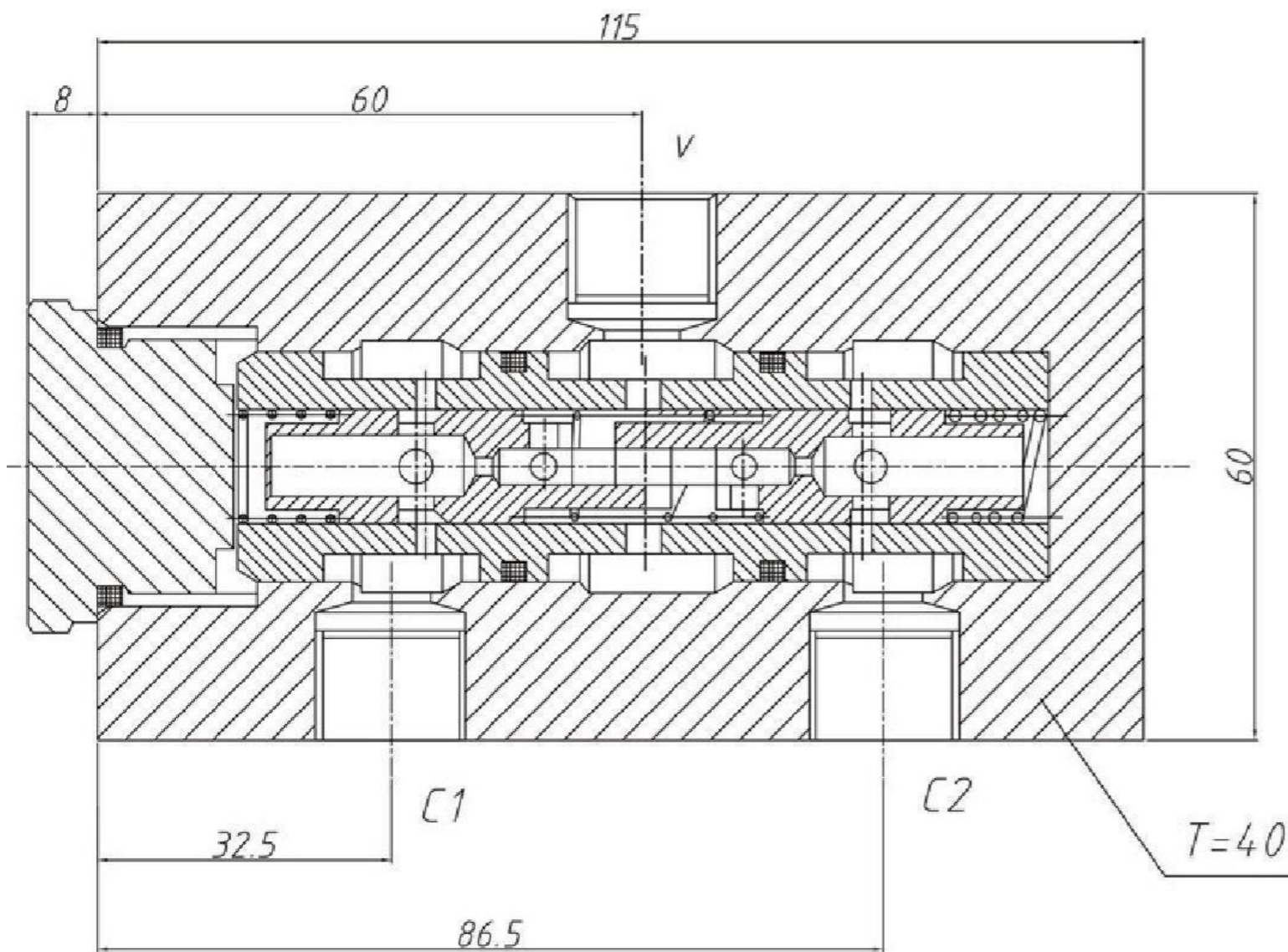
Compact Mobile Machinery / Industrial Hydraulic Systems



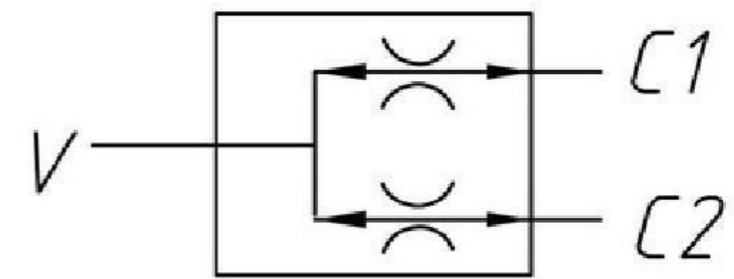
FJF06-01

Flow Divider/Combiner Valve

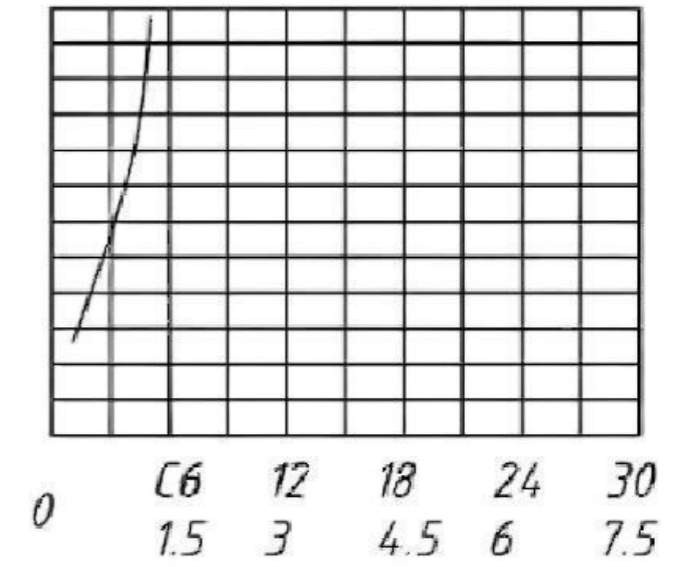
DIMENSIONS



SYMBOL



FLOW DIAGRAM



OPERATION

In dividing mode, the valve diverts input flow from V port to ports C1 and C2.
 Flow is divided according to the specified ratio, regardless of operating pressure.
 When the flow direction is reversed, the valve combines flows from C1 and C2 to Y port.

SPECIFICATIONS

Max. Working Pressure	210 bar
Min./Max. Flow Rate	2.8-30 L/min
Flow Division Ratio	50%
Filtration of Oil	50 nm or better
Temperature	-30~+80°C (NBR)

TO ORDER

FJF06-01

TO ORDER

FJF06-01

Pressure-Compensated, Cartridge
 Flow Divider/Combiner Valve

Porting

01 = G3/8(C1,C2,V)
 Other Porting is Available



CONTACT

YUNLINK HYDRAULICS

For product selection, quotation and OEM/ODM inquiries, please contact us.

COMPANY

Hebei Yunlink Industrial Co., Ltd.

Email: sales@yunlinkhydraulic.com

WhatsApp: +86 155 3213 6555

Website: www.yunlinkhydraulic.com

LinkedIn: [linkedin.com/in/peterbai-hydraulics](https://www.linkedin.com/in/peterbai-hydraulics)

Location:

No. 5 Yucai Street, North Industrial Zone
Ningjin County, Xingtai City
Hebei Province, China

WHEN SENDING AN INQUIRY, PLEASE INCLUDE:

1. Product model
2. Thread size / connection type
3. Required pressure and flow rate
4. Quantity
5. Application or equipment model