

## Relief Valve

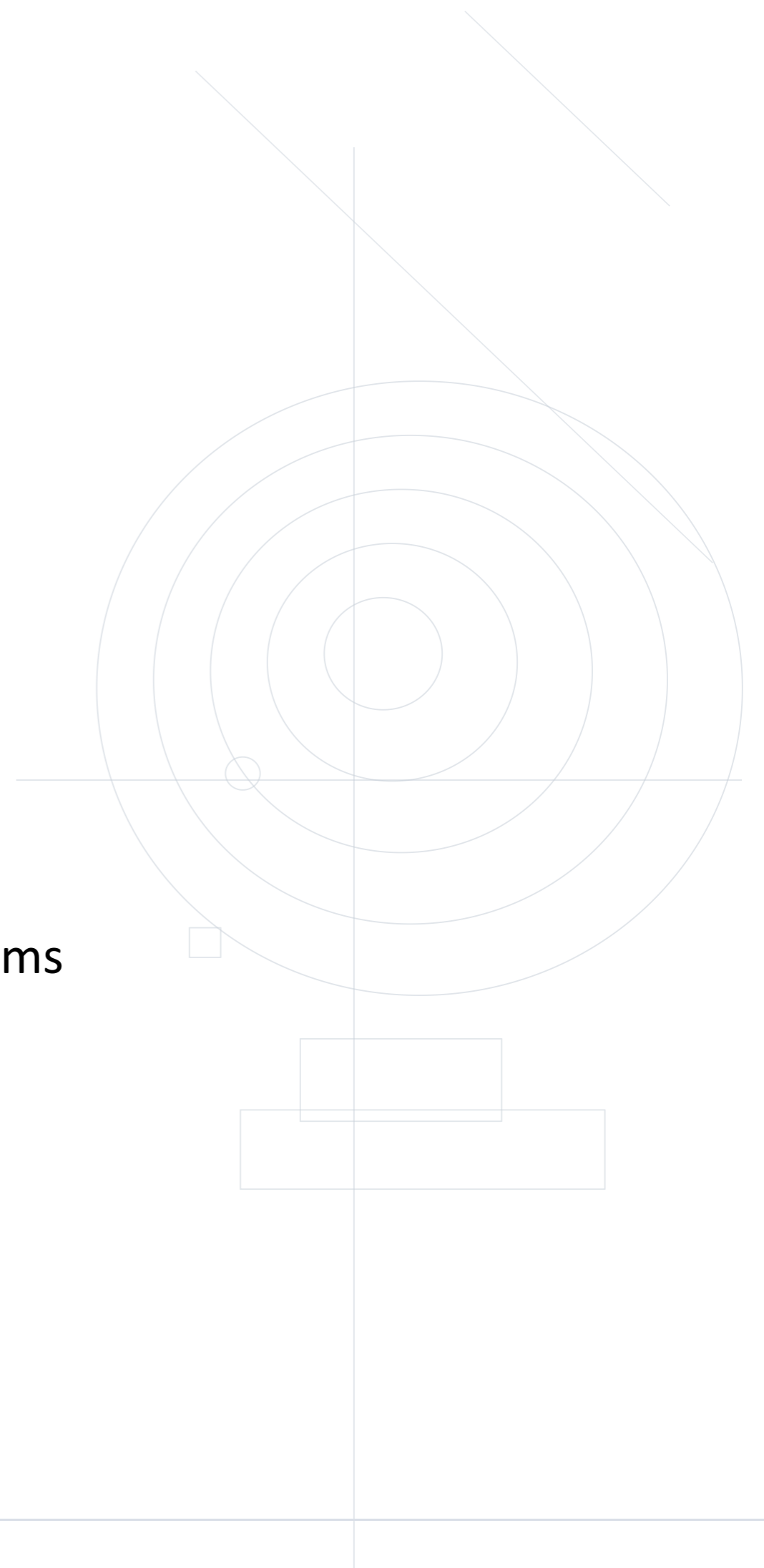
### VMP&VM DR Series Relief Valve

Professional hydraulic components for mobile machinery and industrial systems.

Category: Relief Valve

Application:

Compact Mobile Machinery / Industrial Hydraulic Systems

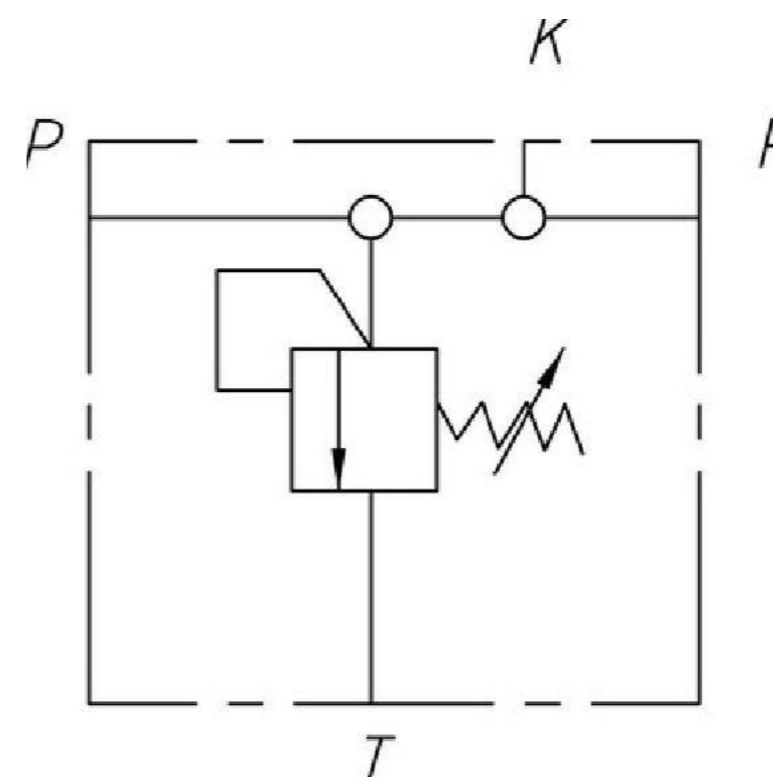
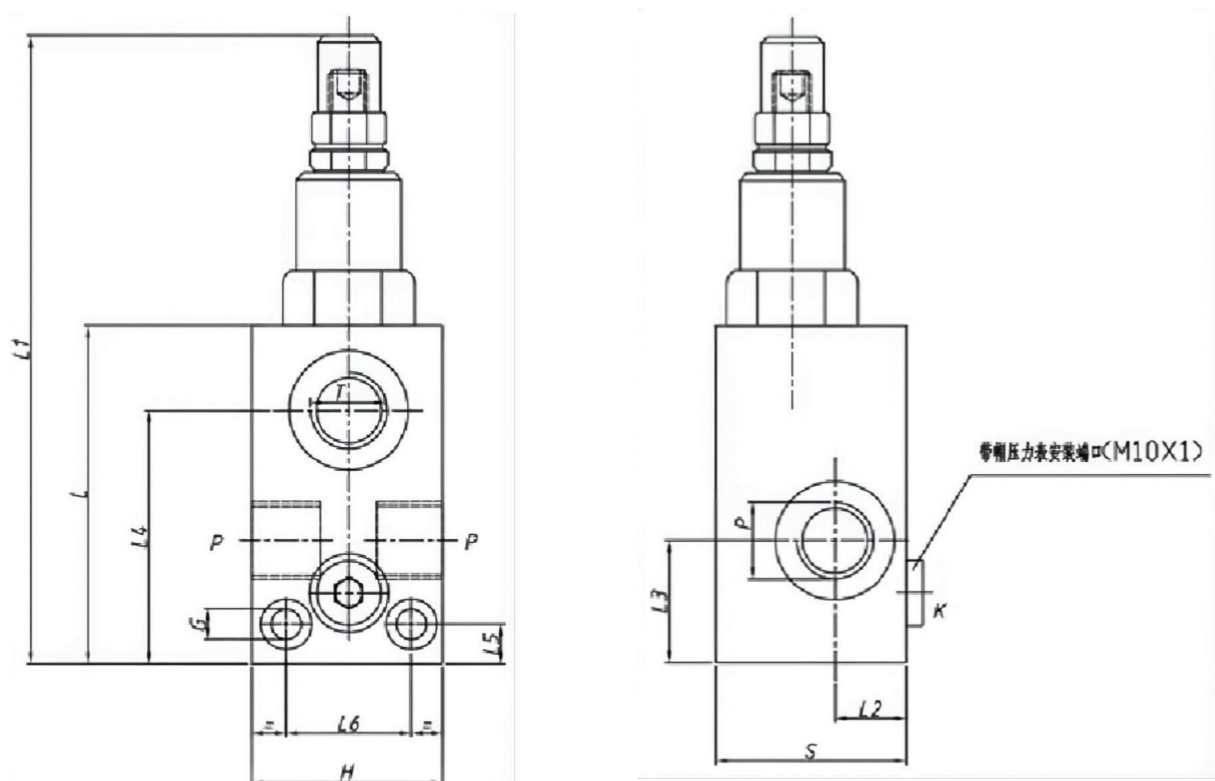


VMP Series Relief Valve



DIMENSIONS

SYMBOL

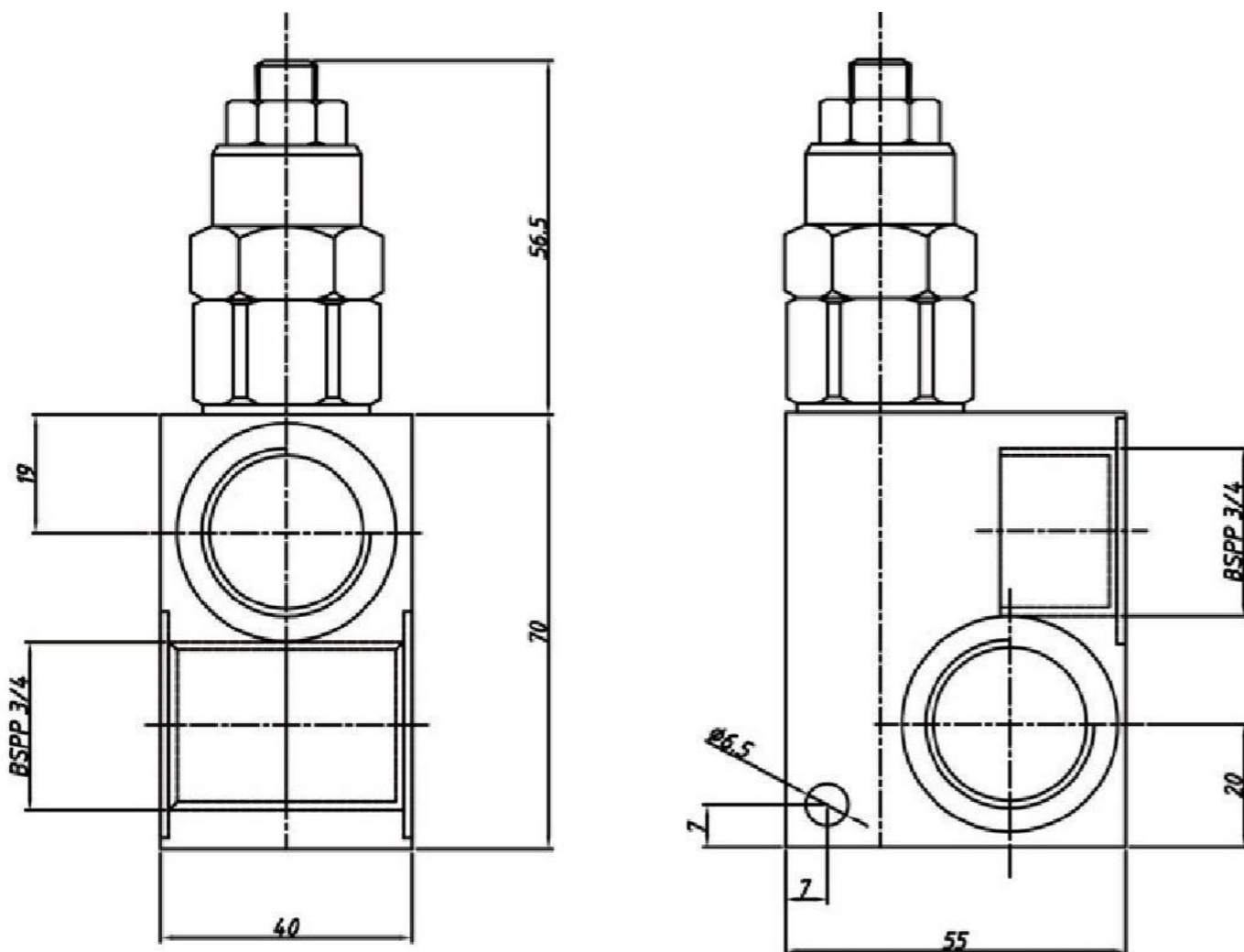
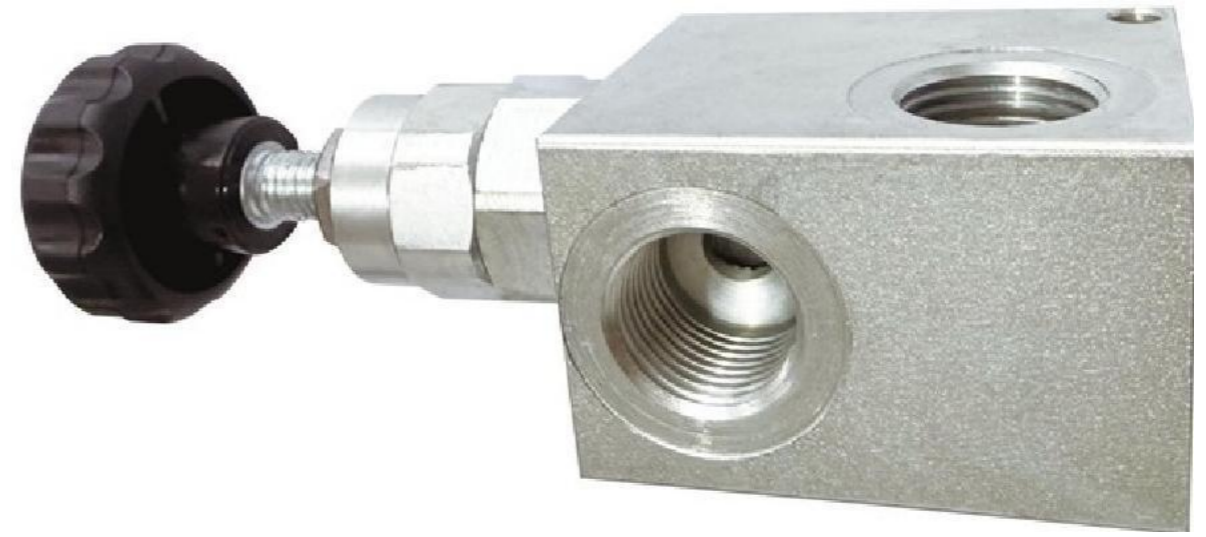


MODEL CODE

Model	P-T	L	L1	L2	L3	L4	L5	L6	G	H	S
VMP-G <sup>3</sup> / <sub>8</sub>	G <sup>3</sup> / <sub>8</sub>	72	134	15	26	54	8.5	26	6.5	40	40
VMP-G <sup>1</sup> / <sub>2</sub>	G <sup>1</sup> / <sub>2</sub>	77	139	17.5	29.5	56	8.5	30	6.5	45	45
VMP-G <sup>3</sup> / <sub>4</sub>	G <sup>3</sup> / <sub>4</sub>	92	154	20	35	72	10	32	6.5	50	50

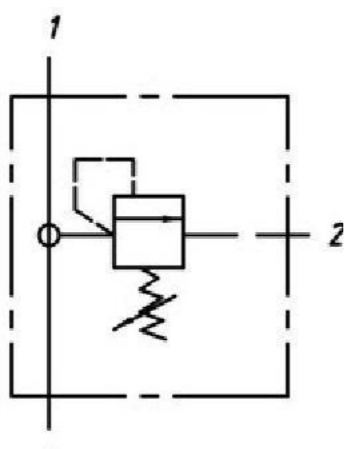
# VMDR90 Relief Valve

## /DIMENSIONS



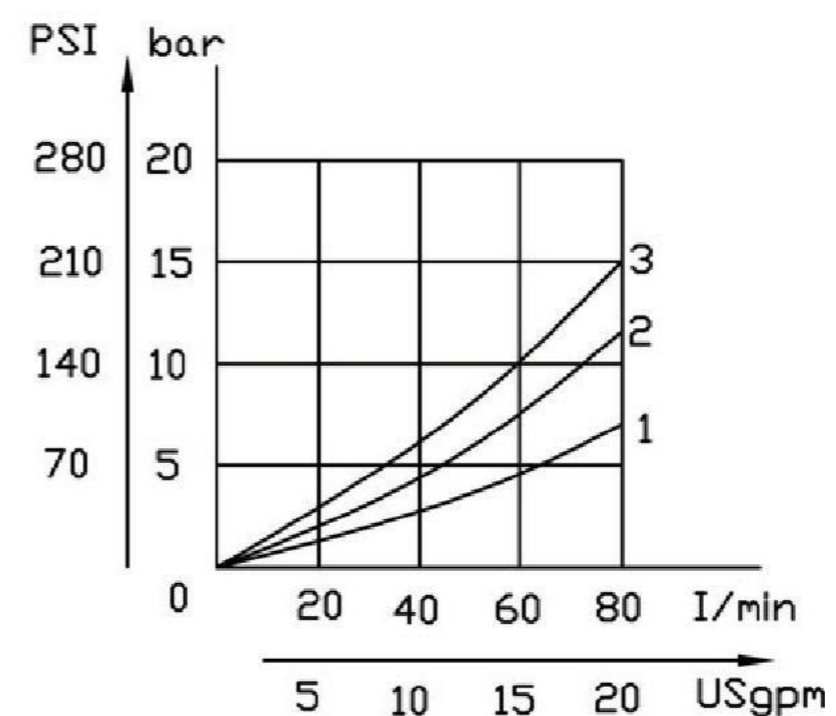
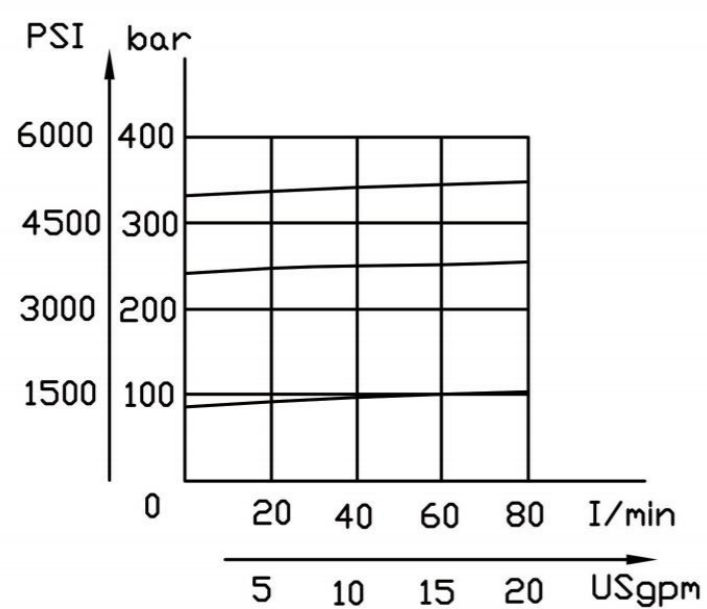
Technical data	
fluid viscosity	10-500mm <sup>2</sup> s
Filtration	ISO code 16/13 SAE class 4 or Peter
fluid temperature	-20°C    +80°C -4°F    +176F
Ambient Temperature	-20°C    +50°C -4°F    +122F

## SYMBOL



Technical performance			
Code	Max flow l/min-USgpm	Max pressure bar/PSI	Weight Kg
VMDR90120	80(20)	350(5000)	0.67(1.5)
VMDR90340			1(2.2)

## FLOW DIAGRAM



# CONTACT

## YUNLINK HYDRAULICS

---

For product selection, quotation and OEM/ODM inquiries, please contact us.

### COMPANY

---

**Hebei Yunlink Industrial Co., Ltd.**

**Email:** [sales@yunlinkhydraulic.com](mailto:sales@yunlinkhydraulic.com)

**WhatsApp:** +86 155 3213 6555

**Website:** [www.yunlinkhydraulic.com](http://www.yunlinkhydraulic.com)

**LinkedIn:** [linkedin.com/in/peterbai-hydraulics](https://www.linkedin.com/in/peterbai-hydraulics)

**Location:**

No. 5 Yucai Street, North Industrial Zone  
Ningjin County, Xingtai City  
Hebei Province, China

### WHEN SENDING AN INQUIRY, PLEASE INCLUDE:

---

1. Product model
2. Thread size / connection type
3. Required pressure and flow rate
4. Quantity
5. Application or equipment model