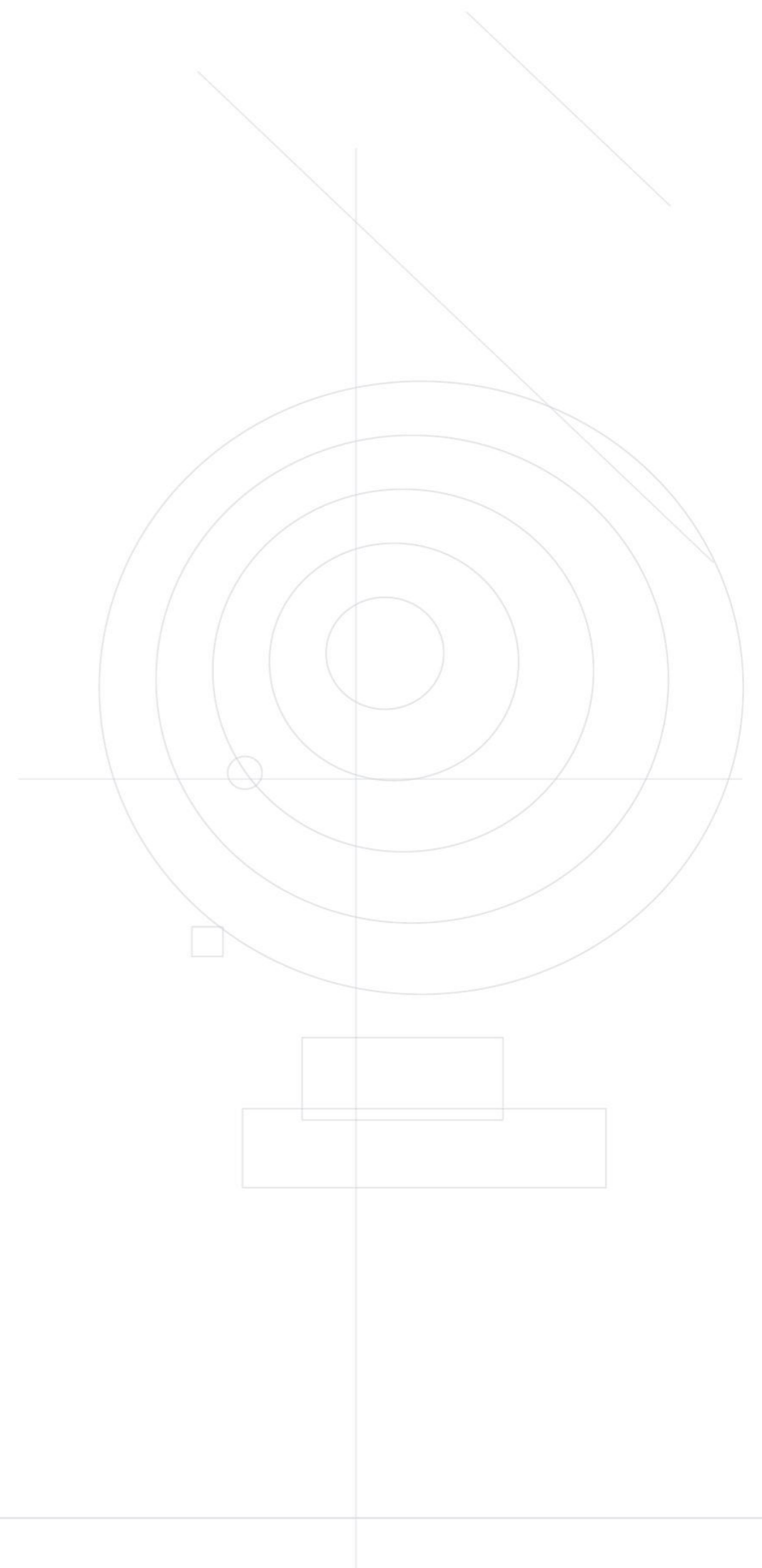


VBCD Series

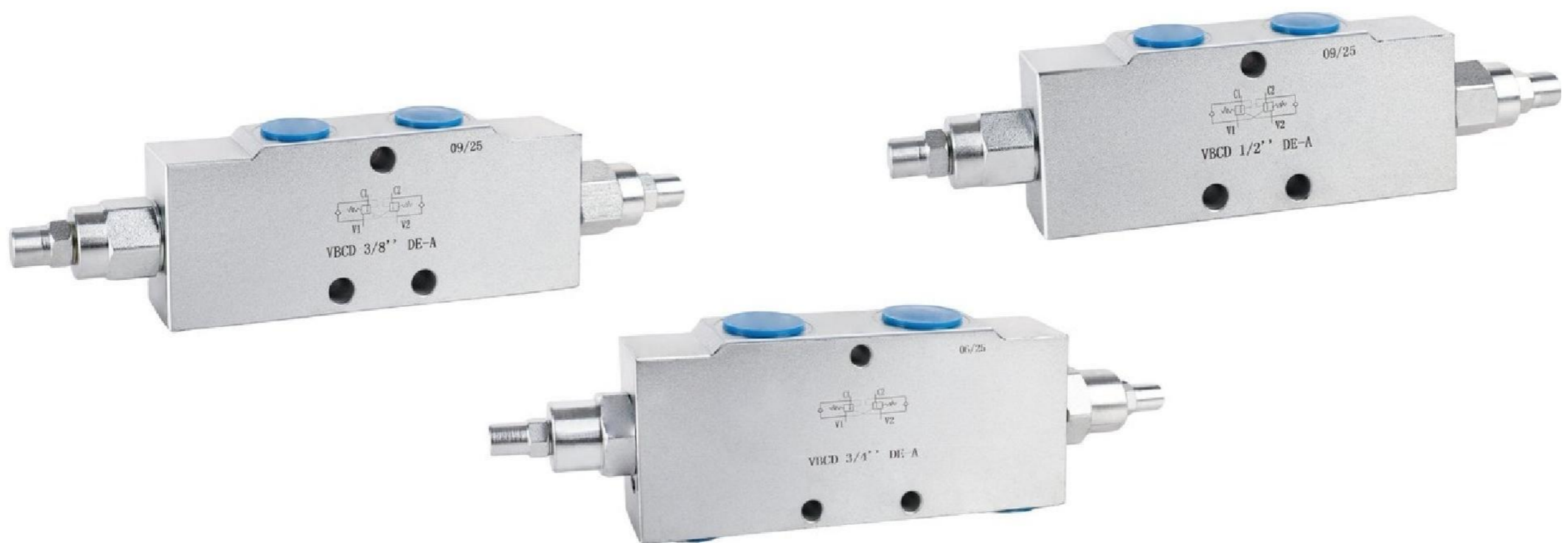
VBCD Series Double-direction Counterbalance Valve

Professional hydraulic components for mobile machinery and industrial systems.

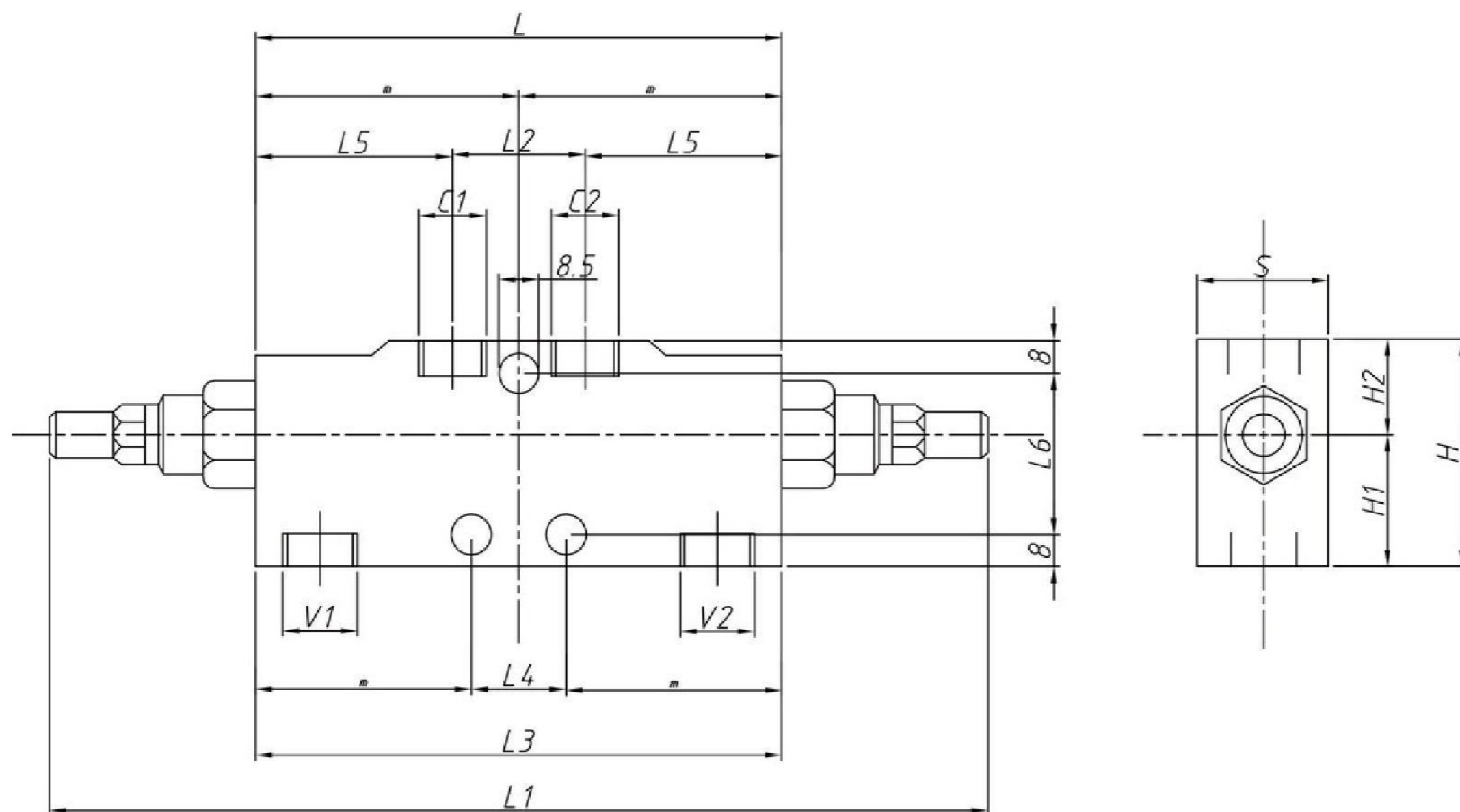
Category: Counterbalance Valves
Application:
Mobile Machinery / Industrial Hydraulic Systems



VBCD DE/A Double-direction Counterbalance Valve



DIMENSIONS



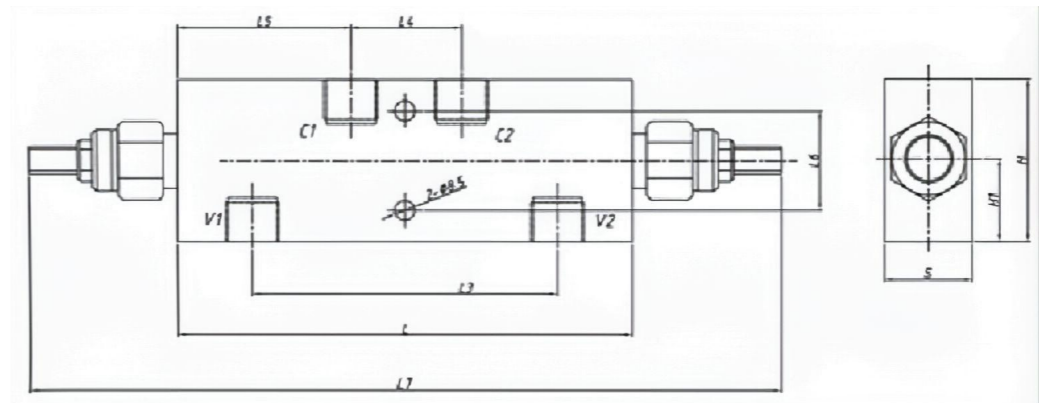
MODEL CODE

TYPE	PILOT RATIO	MAX FLOW L/min	Max pressure Bar	V1-V2 C1-C2 GAS	L mm	L1 mm	L2 mm	L3 mm	L4 mm	L5 mm	L6 mm	H1 mm	H2 mm	H mm	S mm	Weight Kg
VBCD $\frac{1}{4}$ DE/A	1:4,5	20	350	G $\frac{1}{4}$	150	248	50	110	30	50	44	32	28	60	30	1.968
VBCD $\frac{3}{8}$ DE/A	1:4,5	40	350	G $\frac{3}{8}$	150	248	50	110	30	50	44	32	28	60	30	1.944
VBCD $\frac{1}{2}$ DE/A	1:4,5	60	350	G $\frac{1}{2}$	150	248	50	110	30	50	44	32	28	60	30	1.886
VBCD $\frac{3}{4}$ DE/A	1:5,5	95	350	G $\frac{3}{4}$	190	320	65	143	44	62.5	64	40	40	80	35	3.82
VBCD1 DE/A	1:6,2	160	350	G1	210	304	66	155	190	71	-	45	45	90	50	7.12

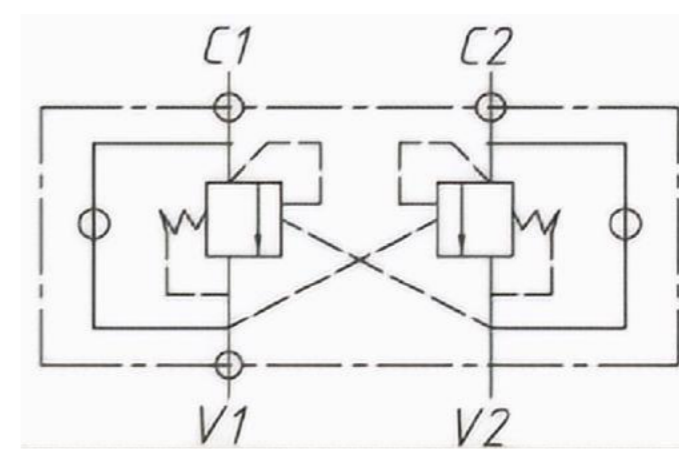
VBCD DE/G Double-direction Counterbalance Valve



DIMENSIONS



SYMBOL



TECHNICAL DATA

MATERIALS USED
 BODY: Steel
 VALVES: Hard steel
 SEAL: NBR

OPERATING RANGE
 Mounting
 On request

TEMPERATURES

Ideal operating range: +40°C to +70°C
 Maximum operating temperature: +90°C
 Minimum/maximum ambient temperatures: -20°C to +60°C

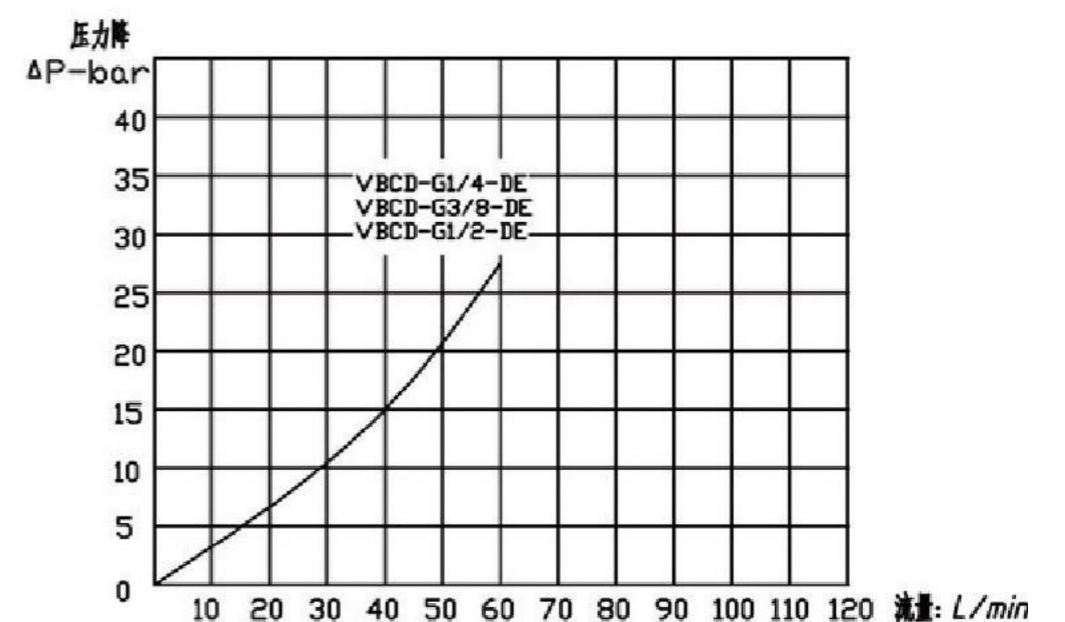
MODEL CODE

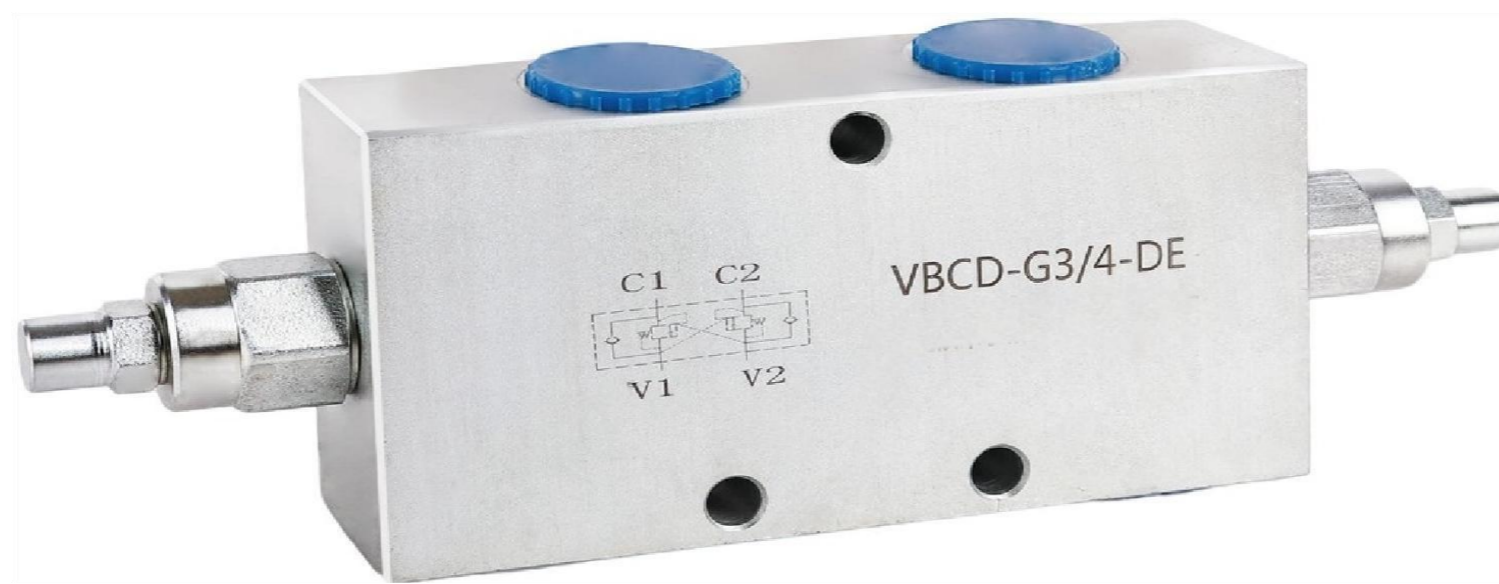


- ① Materials
- ② Single overcenter valve Series Code
- ③ Connection thread dimension
- ④ Double-direction Counterbalance Valve Double overcenter valves

Type	Max Flow (L/min)	Max Pressure (Steel) Bar	Max Pressure (Aluminium) Bar	Pilot Ratio	Ports V1 - V2 / C1 - C2
VBCD G1/4 DE/A	20	350	210	4.5:1	G1/4
VBCD G3/8 DE/A	40	350	210	4.5:1	G3/8
VBCD G1/2 DE/A	60	350	210	4.5:1	G3/8

TYPE	L (mm)	L1 (mm)	L2 (mm)	L3 (mm)	L4 (mm)	L5 (mm)	L6 (mm)	H1 (mm)	H (mm)	S (mm)
VBCD G1/4 DE/A	151	250	48	110	30	51.5	43	27.5	55	30
VBCD G3/8 DE/A	151	250	48	110	30	51.5	43	27.5	55	30
VBCD G1/2 DE/A	151	250	48	110	30	51.5	43	27.5	65	35



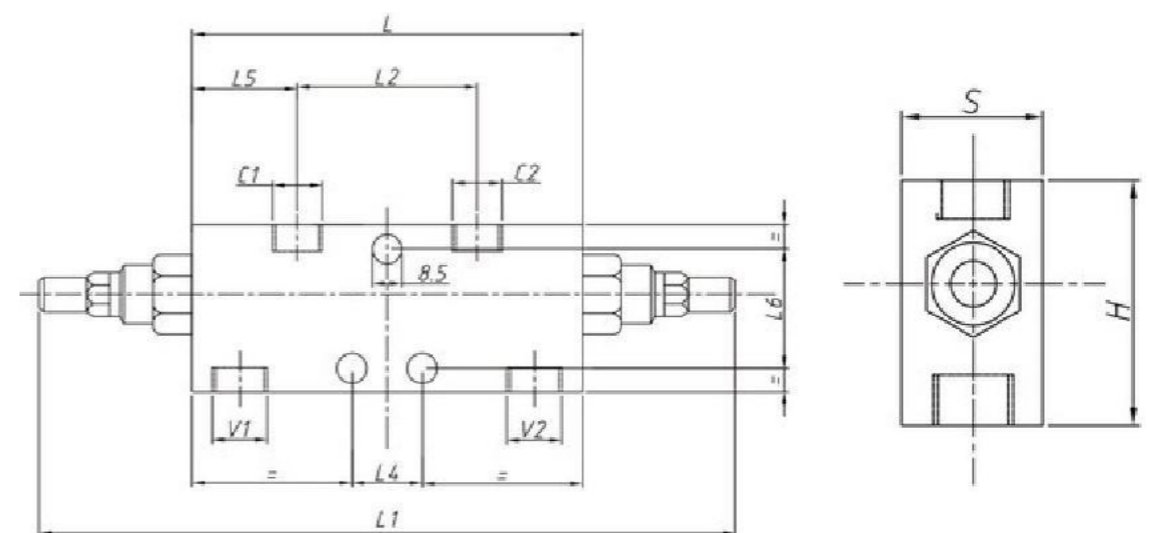


TECHNICAL DATA

MATERIALS USED	OPERATING
BODY: Steel	RANGE Mounting
VALVES: Hard steel	On request
SEAL: NBR	

TEMPERATURES

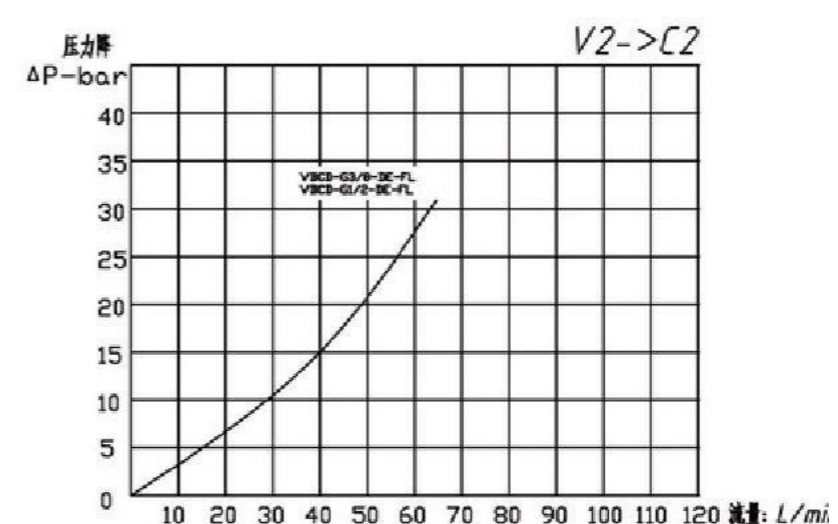
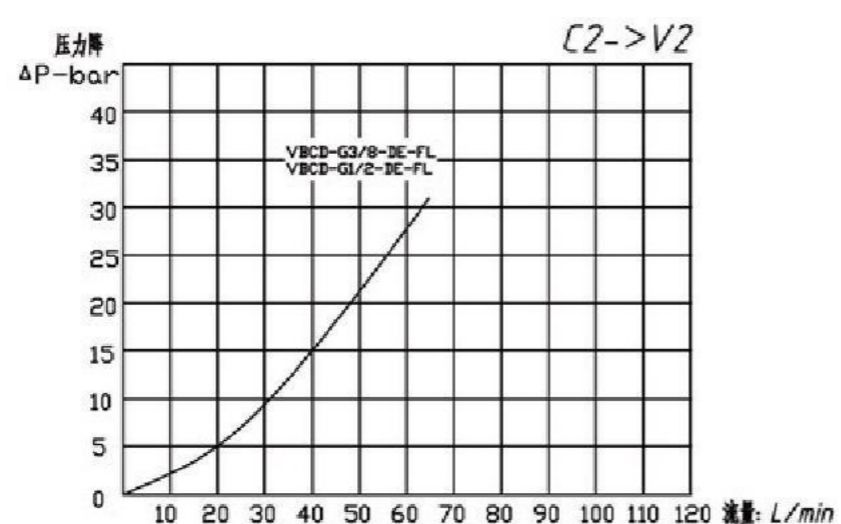
Ideal operating range: +40°C to +70°C
 Maximum operating temperature: +90°C
 Minimum/maximum ambient temperatures: -20°C to +60°C



MODEL CODE

	OT_RATIO	MAX FLOW L/min	Bar Max pressure Bar	V1-V2 C1-C2 GAS	L mm	L1 mm	L2 mm	L3 mm	L4 mm	L5 mm	L6 mm	H mm	S mm	Wei ght Kg
VBCD G%DE/A	1:4,5	20	350	G4	150	251	50	110	30	50	44	60	30	1.97
VBCD M14 DE/A	1:4,5	20	350	M14×1.5	150	251	50	110	30	50	44	60	30	1.97
VBCD G ³ /8 DE/A	1:4,5	40	350	G ³ 8	150	251	50	110	30	50	44	60	30	1.97
VBCD M18 DE/A	1:4,5	40	350	M18×1.5	150	251	50	110	30	50	44	60	30	1.97
VBCD G2 DE/A	1:4,5	60	350	GV / 2	150	251	50	110	30	50	44	65	35	2.58
VBCD M22 DE/A	1:4,5	60	350	M22×1.5	150	251	50	110	30	50	44	65	35	2.68
VBCD G ³ DE/A	1:5,5	95	350	G34	155	256	58	116	44	62.5	64	80	40	3.89

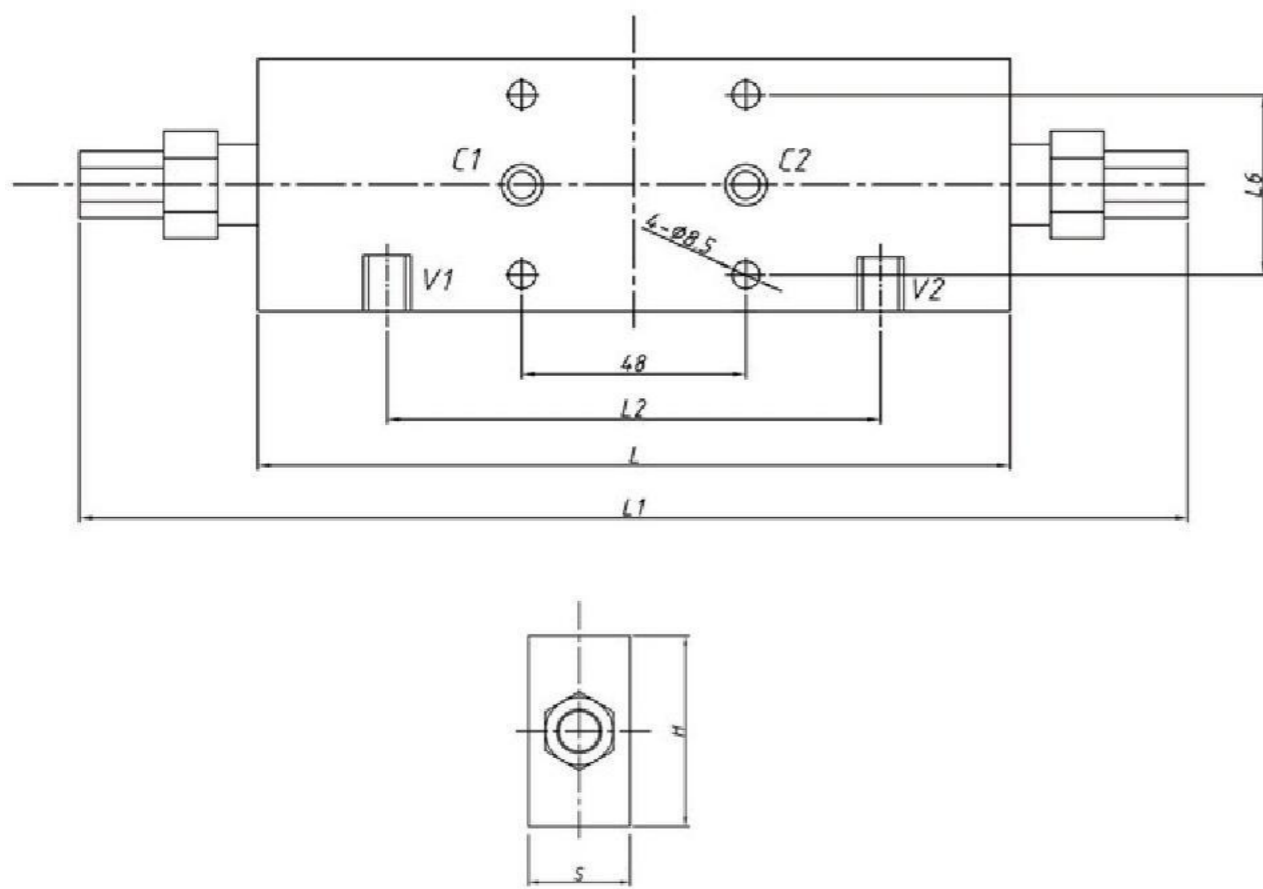
FLOW DIAGRAM



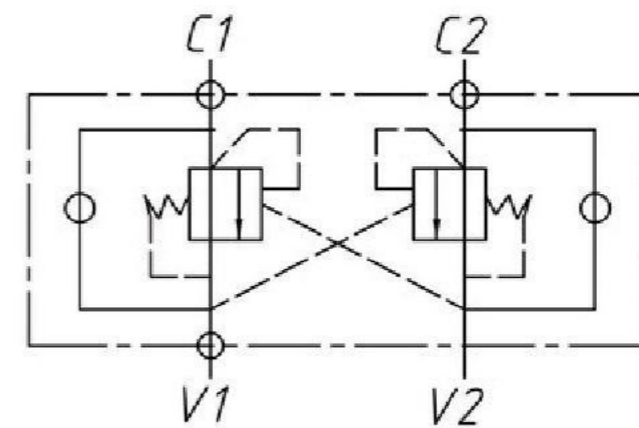
VBCD DE/FL Double-direction Counterbalance Valve



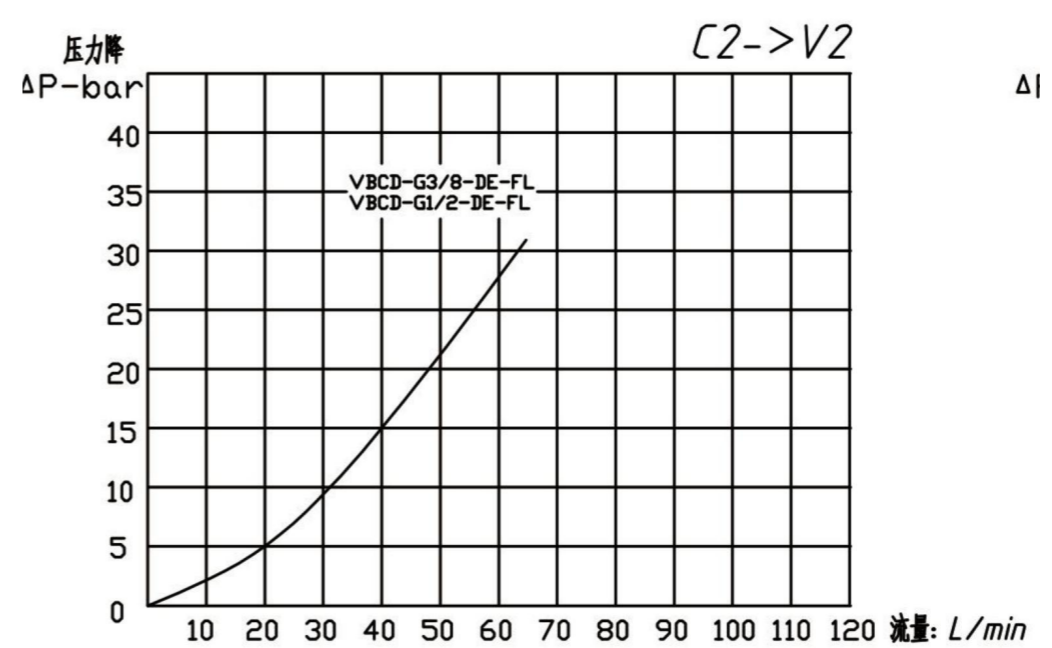
DIMENSIONS



SYMBOL



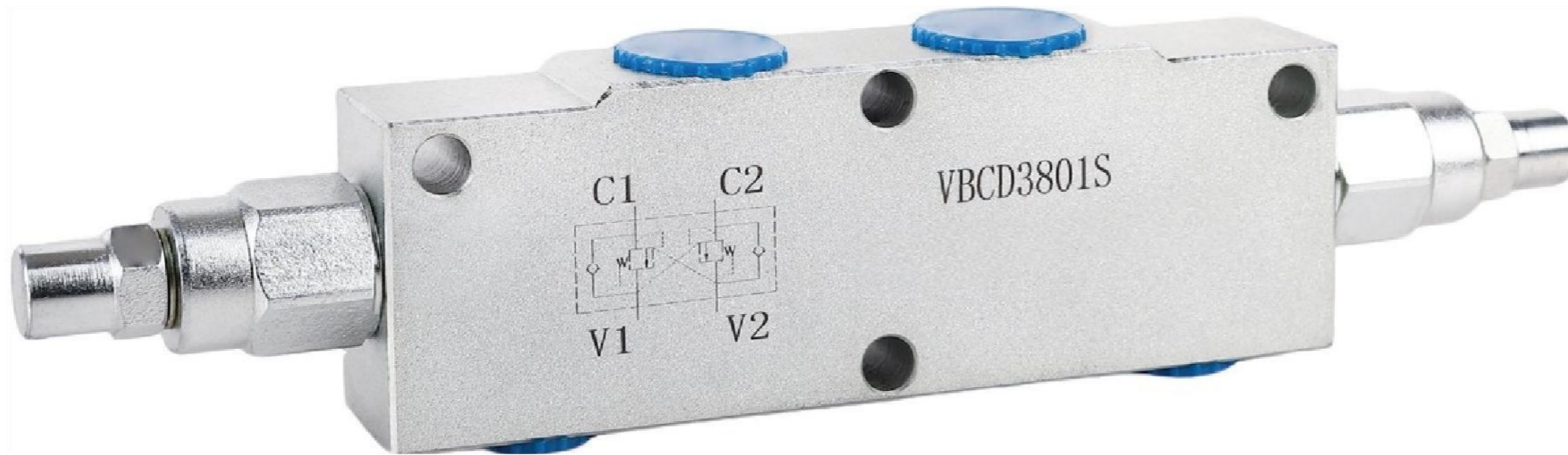
FLOW DIAGRAM



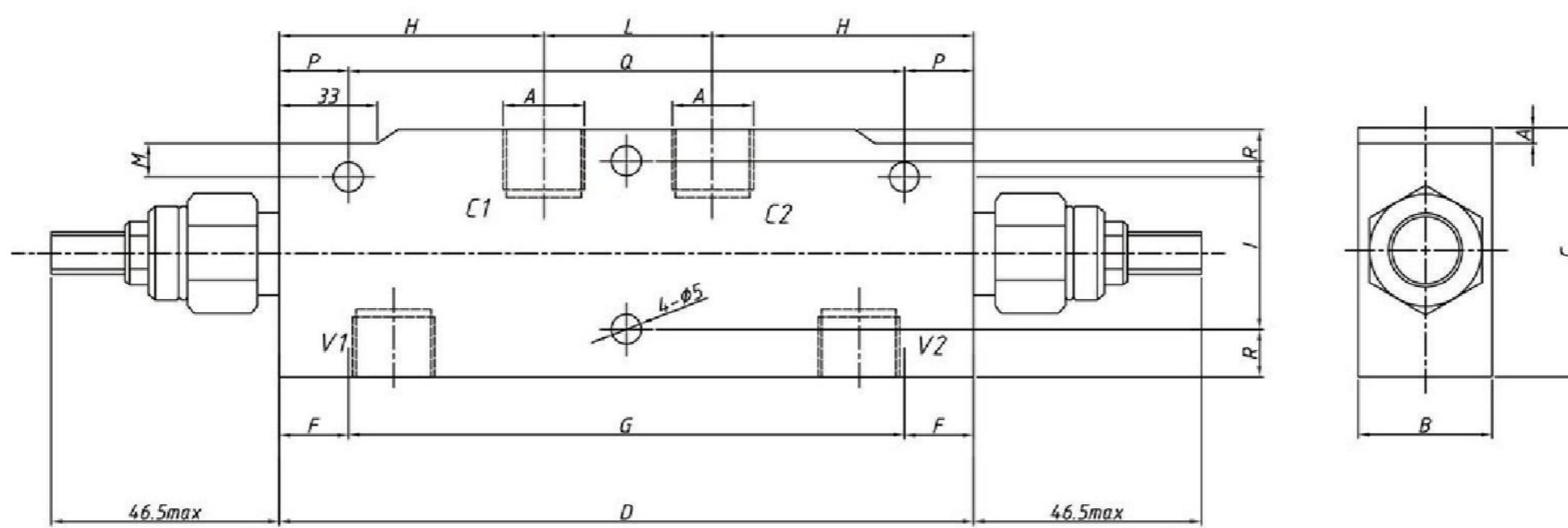
MODEL CODE

Type	Max Flow (L/min)	Max Pressure (Steel) Bar	Max Pressure (Aluminium) Bar	Pilot Ratio	Ports V1-V2	Mounting Hole C1-C2	L (mm)	L1 (mm)	L2 (mm)	H (mm)	S (mm)	O-ring
VBCD G3/8 DE/FL	40	350	210	4.25:1	G3/8	Ø9	151	250	110	55	30	10.78 × 2.62
VBCD G1/2 DE/FL	60	350	210	4.25:1	G1/2	Ø9	151	250	110	65	35	10.78 × 2.62

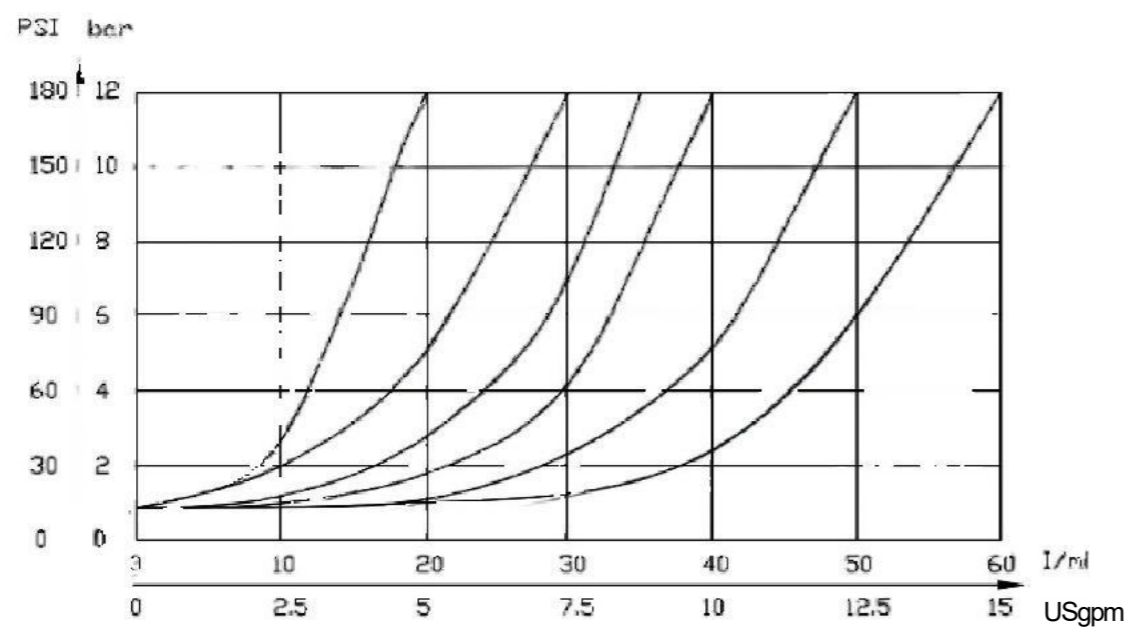
VBCD3801S



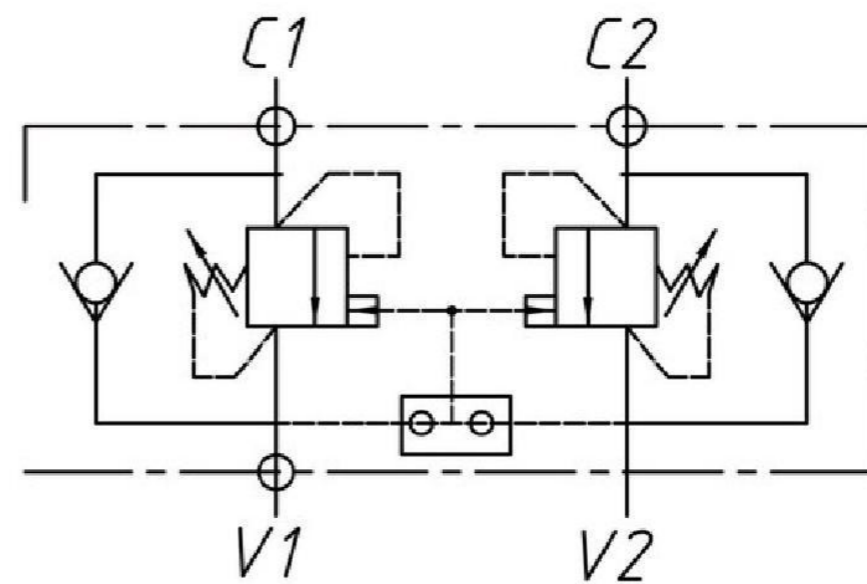
DIMENSIONS



FLOW DIAGRAM



SYMBOL



MODEL CODE

Type	F (inch)	B mm (inch)	H mm (inch)	L mm (inch)	OD mm (inch)	M mm (inch)	N mm (inch)	P mm (inch)	Q mm (inch)	R mm (inch)	S mm (inch)
VBCD3801S 1/4	1/4	25 (0.98)	50 (1.97)	150 (5.91)	8.3 (0.33)	48 (1.89)	133.5 (5.25)	105 (4.13)	9.5 (0.37)	5.6 (0.22)	39 (1.53)
VBCD3801S 3/8	3/8	25 (0.98)	50 (1.97)	150 (5.91)	8.3 (0.33)	48 (1.89)	133.5 (5.25)	105 (4.13)	9.5 (0.37)	5.6 (0.22)	39 (1.53)
VBCD3801S 1/2	1/2	30 (1.18)	60 (2.36)	150 (5.91)	8.5 (0.33)	48 (1.89)	133.5 (5.25)	105 (4.13)	13.6 (0.53)	8.6 (0.33)	43 (1.69)

CONTACT

YUNLINK HYDRAULICS

For product selection, quotation and OEM/ODM inquiries, please contact us.

COMPANY

Hebei Yunlink Industrial Co., Ltd.

Email: sales@yunlinkhydraulic.com

WhatsApp: +86 155 3213 6555

Website: www.yunlinkhydraulic.com

LinkedIn: [linkedin.com/in/peterbai-hydraulics](https://www.linkedin.com/in/peterbai-hydraulics)

Location:

No. 5 Yucai Street, North Industrial Zone
Ningjin County, Xingtai City
Hebei Province, China

WHEN SENDING AN INQUIRY, PLEASE INCLUDE:

1. Product model
2. Thread size / connection type
3. Required pressure and flow rate
4. Quantity
5. Application or equipment model